

MANUAL – INSTALLATION + SERVICE

High Capacity Architectural Linear Diffuser

Custom Flow Series

v100 – Issue Date: 03/31/15

© 2015 Price Industries Limited. All rights reserved.

PRICE[®]

HIGH CAPACITY ARCHITECTURAL LINEAR DIFFUSER

TABLE OF CONTENTS

Installation Instructions

Types 21C, 21SM, 22SM	1
Type 61SM.....	4
Plaster Finishing for Types 22, 22A, 22C, 22P, 22ASM, 22SM	7
Types 21P, 22P	8
Types 22A, 22ASM	11
Types 21, 22	14
Field Trimming	17
T-Bar Ceilings.....	18
Types 41, 41P	22
Types 51, 51F	25
Pattern Controller Adjustment	27

ALWAYS READ & UNDERSTAND ALL INSTALLATION INSTRUCTIONS PRIOR TO STARTING.

THIS INSTRUCTION APPLIES TO CUSTOM FLOW LINEAR DIFFUSERS, MODELS AS AND JS, WITH TYPE 'C' CONCEALED MOUNTING BRACKETS (FRAME TYPES 21C, 21SM, 22C, AND 22SM).

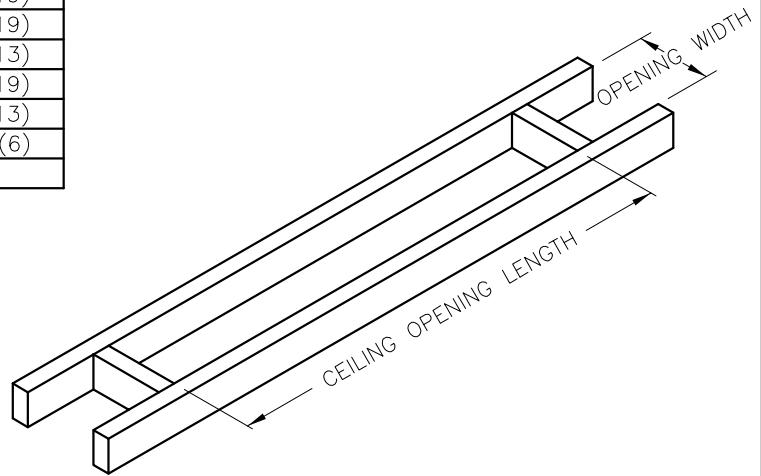
FOR INSTRUCTIONS ON COMPLETING DRYWALL TAPING FOR CONCEALED FRAME TYPES 22C AND 22SM, ALSO SEE INSTALLATION INSTRUCTION I100030.

STEP 1:
FRAME CEILING OPENING. REFER TO CHARTS FOR RECOMMENDED OPENING WIDTH AND LENGTH DIMENSIONS.

FRAME TYPE	END CONDITION	CEILING OPENING LENGTH
21C, 22C	W-W*	ORDERED SIZE + 3/4" (19)
	W-X*	ORDERED SIZE + 3/4" (19)
	W-Z*	ORDERED SIZE + 1/2" (13)
	X-X	ORDERED SIZE + 3/4" (19)
	X-Z	ORDERED SIZE + 1/2" (13)
	Z-Z	ORDERED SIZE + 1/4" (6)
21SM, 22SM	ALL	NOMINAL SIZE

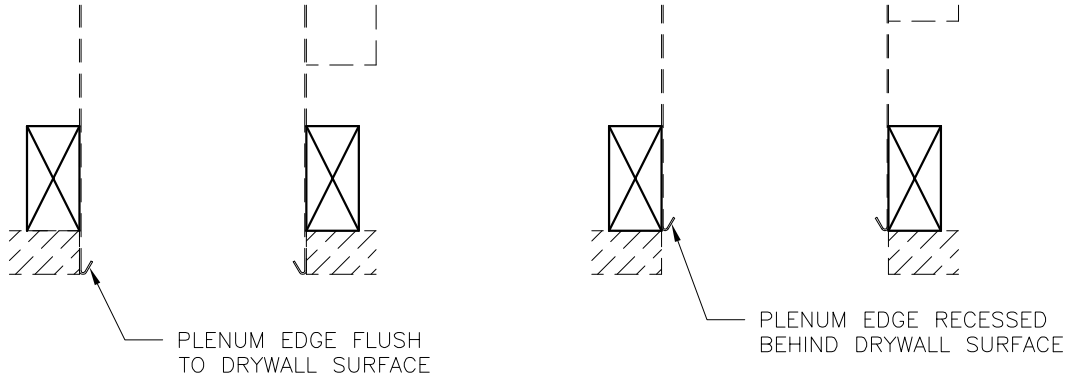
* W ENDCAPS NOT AVAILABLE ON TYPES 22C, 22SM

MODEL	SLOT QTY.	OPENING WIDTH
AS210 / JS210	1 SLOT	3 1/4" (83)
	2 SLOT	5 9/16" (141)
AS215 / JS215	1 SLOT	4 1/4" (108)
	2 SLOT	7 9/16" (192)
AS220 / JS220	1 SLOT	5 1/4" (133)
	2 SLOT	9 9/16" (243)
AS225 / JS225	1 SLOT	6 1/4" (159)
	2 SLOT	11 9/16" (294)
AS230 / JS230	1 SLOT	7 1/4" (184)
	2 SLOT	13 9/16" (344)



STEP 2:

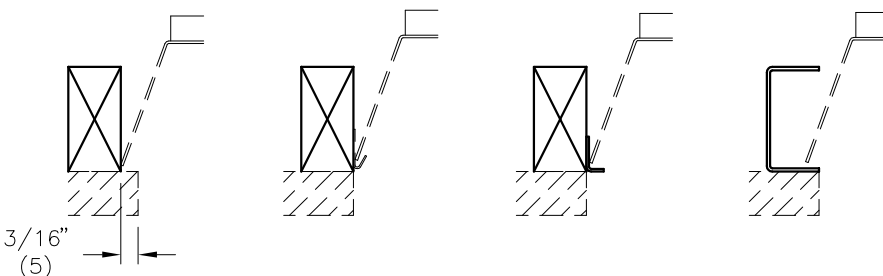
INSTALL PLENUM (IF REQUIRED). USE PRICE MODEL UP OR UPL, OR FIELD BUILD PLENUM WITH HEMMED EDGE. SECURE PLENUM TO FRAMING OR HANG FROM STRUCTURE AS REQUIRED BY LOCAL BUILDING CODE. PLENUM MAY BE INSTALLED FLUSH TO FRAMING, OR LOCATED TO BE FLUSH WITH FINISHED DRYWALL.



STEP 3:

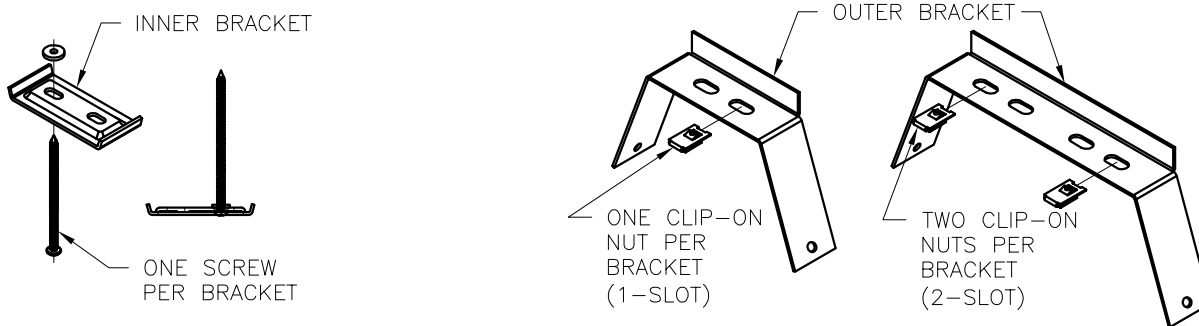
INSTALL DRYWALL. IF USING EXPOSED FRAMES, TYPES 21C OR 21SM, FINISH DRYWALL AND PAINT. IF USING CONCEALED FRAMES, TYPES 22C OR 22SM, DO NOT FINISH DRYWALL UNTIL AFTER INSTALLING DIFFUSER.

IF NO PLENUM IS BEING USED, A LEDGE MAY BE ADDED FOR INSTALLING BRACKET. THIS MAY BE FORMED BY THE DRYWALL, A SHEET METAL HEM OR ANGLE, OR METAL STUD FRAMING. IF NO LEDGE IS INSTALLED, THE BRACKET MAY ALSO BE SCREWED IN PLACE.



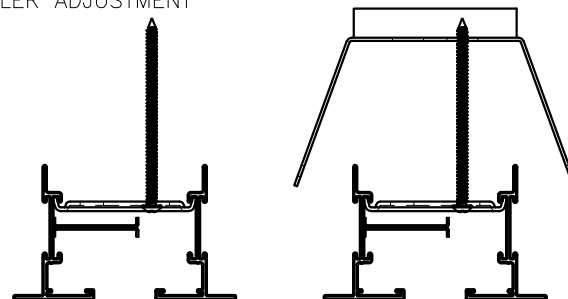
PRICE [®]	
<i>MG</i>	CUSTOM FLOW
I100028	INSTALLATION INSTRUCTIONS TYPES 21C, 21SM, 22C & 22SM
2013/08/13	

STEP 4:
PREPARE BRACKETS BY INSERTING ONE SCREW THROUGH EACH INNER BRACKET, AND PUSHING A RUBBER GROMMET DOWN THE SHAFT OF THE SCREW. SLIDE CLIP-ON NUT ONTO OUTER BRACKETS.

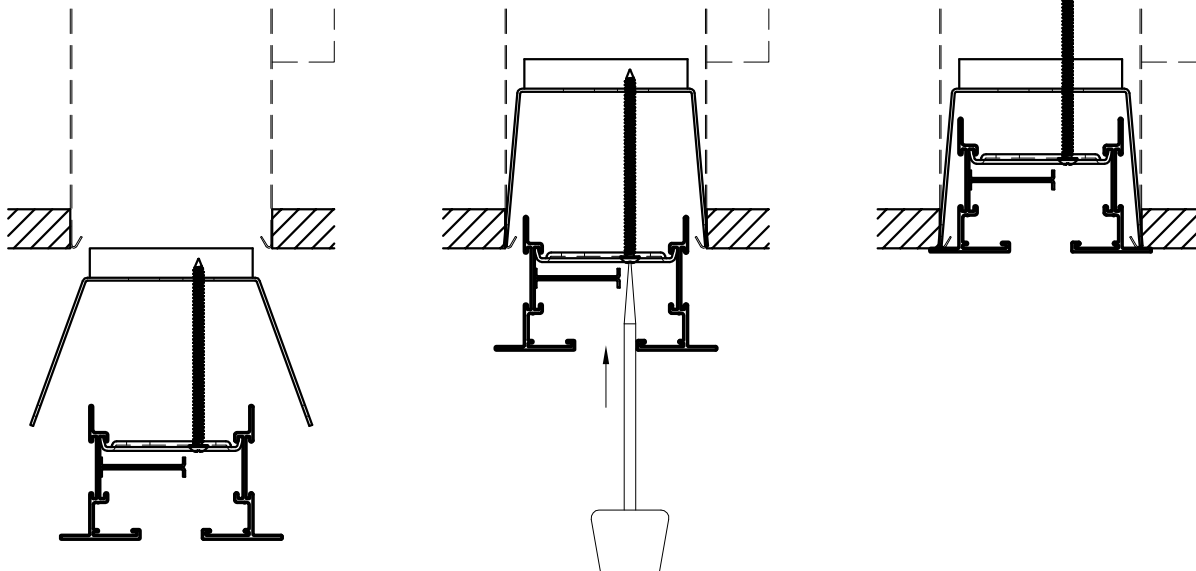


CLIP-ON NUTS MAY BE LOCATED IN EITHER HOLE, AS REQUIRED FOR PATTERN CONTROLLER ADJUSTMENT

STEP 5:
INSTALL INNER BRACKETS INTO DIFFUSER. DEFLECT FRAME STACK AND SNAP BRACKET INTO DIFFUSER FRAME. BRACKETS ARE REQUIRED APPROXIMATELY EVERY 36" (914) TO 48" (1219). THREAD OUTER BRACKET 1/4" (6) ONTO SCREWS.



STEP 6:
POSITION DIFFUSER IN CEILING. USING A SCREWDRIVER, PUSH UPWARD ON THE SCREW UNTIL THE BRACKET SNAPS IN PLACE. IF DIFFUSER IS MULTIPLE SECTIONS IN LENGTH, ALIGN SECTIONS USING SPLICE PLATES. TIGHTEN SCREWS UNTIL FRAME IS FLUSH WITH THE CEILING.



STEP 7:
ADJUST BLADES FOR DESIRED AIR PATTERN AS PER INSTALLATION INSTRUCTION I100040. IF USING CONCEALED FRAMES, STYLES 22C OR 22SM, FINISH DRYWALL CEILING AS PER INSTALLATION INSTRUCTION I100030.

Y-END ALIGNMENT PLATES:

ITEM	QUANTITY
Y-END HORIZ. ALIGN. PLATE	2
Y-END VERT. ALIGN. PLATE	2
Y-END CTR. ALIGN. PLATE (2 SLOT ONLY)	2

PRICE [®]	
<i>MG</i>	CUSTOM FLOW
I100028	INSTALLATION INSTRUCTIONS TYPES 21C, 21SM 22C & 22SM
2013/08/13	


MOUNTING BRACKETS:

DIFFUSER SECTION LENGTH	KIT QTY.
UP TO 48"	2
>48" TO 96"	3
>96"	4

EACH KIT INCLUDES:								
INNER BRACKET QTY.		OUTER BRACKET QTY.	RUB. GROMMET QTY.		SCREW QTY.		CLIP-ON NUT QTY.	
1 SLOT	2 SLOT	1 OR 2 SLOT	1 SLOT	2 SLOT	1 SLOT	2 SLOT	1 OR 2 SLOT	
1	2	1	1	2	1	2	2	

PARTS LIST:

TYPE	SIZE	DESCRIPTION	PART NUMBER
AS/JS	210	1 SLOT C MOUNTING BRACKET KIT	232067-001
AS/JS	215	1 SLOT C MOUNTING BRACKET KIT	232067-002
AS/JS	220	1 SLOT C MOUNTING BRACKET KIT	232067-003
AS/JS	225	1 SLOT C MOUNTING BRACKET KIT	232067-004
AS/JS	230	1 SLOT C MOUNTING BRACKET KIT	232067-005
AS/JS	210	2 SLOT C MOUNTING BRACKET KIT	232068-001
AS/JS	215	2 SLOT C MOUNTING BRACKET KIT	232068-002
AS/JS	220	2 SLOT C MOUNTING BRACKET KIT	232068-003
AS/JS	225	2 SLOT C MOUNTING BRACKET KIT	232068-004
AS/JS	230	2 SLOT C MOUNTING BRACKET KIT	232068-005
AS/JS	210	INNER BRACKET	232030-001
AS/JS	215	INNER BRACKET	232030-002
AS/JS	220	INNER BRACKET	232030-003
AS/JS	225	INNER BRACKET	232030-004
AS/JS	230	INNER BRACKET	232030-005
AS/JS	210	OUTER BRACKET 1 SLOT	232028-001
AS/JS	215	OUTER BRACKET 1 SLOT	232028-002
AS/JS	220	OUTER BRACKET 1 SLOT	232028-003
AS/JS	225	OUTER BRACKET 1 SLOT	232028-004
AS/JS	230	OUTER BRACKET 1 SLOT	232028-005
AS/JS	210	OUTER BRACKET 2 SLOT	232029-001
AS/JS	215	OUTER BRACKET 2 SLOT	232029-002
AS/JS	220	OUTER BRACKET 2 SLOT	232029-003
AS/JS	225	OUTER BRACKET 2 SLOT	232029-004
AS/JS	230	OUTER BRACKET 2 SLOT	232029-005
AS/JS	ALL	RUBBER GROMMET	033363-001
AS/JS	ALL	NUMBER 8 SCREW 3"	031724-001
AS/JS	ALL	CLIP-ON NUT	032160-001
AS/JS	210	Y-END HORIZONTAL ALIGNMENT PLATE	230770-001
AS/JS	215	Y-END HORIZONTAL ALIGNMENT PLATE	230770-002
AS/JS	220	Y-END HORIZONTAL ALIGNMENT PLATE	230770-003
AS/JS	225	Y-END HORIZONTAL ALIGNMENT PLATE	230770-004
AS/JS	230	Y-END HORIZONTAL ALIGNMENT PLATE	230770-005
AS/JS	210	Y-END CENTER ALIGNMENT PLATE	230771-001
AS/JS	215	Y-END CENTER ALIGNMENT PLATE	230771-002
AS/JS	220	Y-END CENTER ALIGNMENT PLATE	230771-003
AS/JS	225	Y-END CENTER ALIGNMENT PLATE	230771-004
AS/JS	230	Y-END CENTER ALIGNMENT PLATE	230771-005
AS/JS	ALL	Y-END VERTICAL ALIGNMENT PLATE	243177-001

PRICE [®]	
	CUSTOM FLOW
I100028	INSTALLATION INSTRUCTIONS TYPES 21C, 21SM 22C & 22SM
2013/08/13	

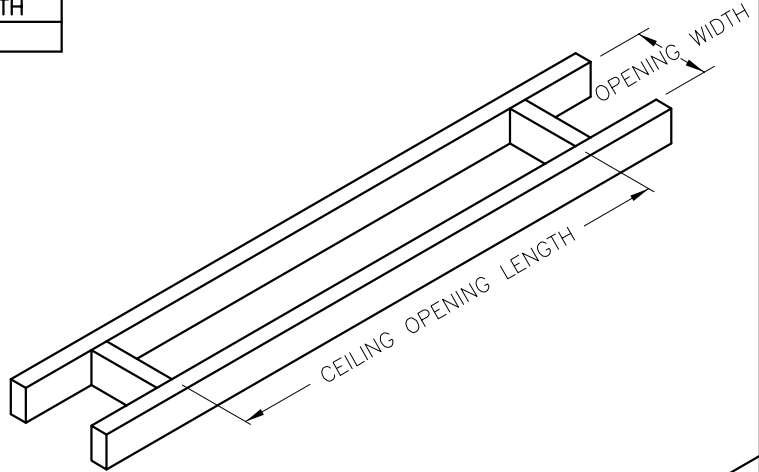
ALWAYS READ & UNDERSTAND ALL INSTALLATION INSTRUCTIONS PRIOR TO STARTING.

THIS INSTRUCTION APPLIES TO CUSTOM FLOW LINEAR DIFFUSERS, MODELS AS AND JS, TYPE 61SM FOR MOUNTING PRIOR TO DRYWALL INSTALLATION.

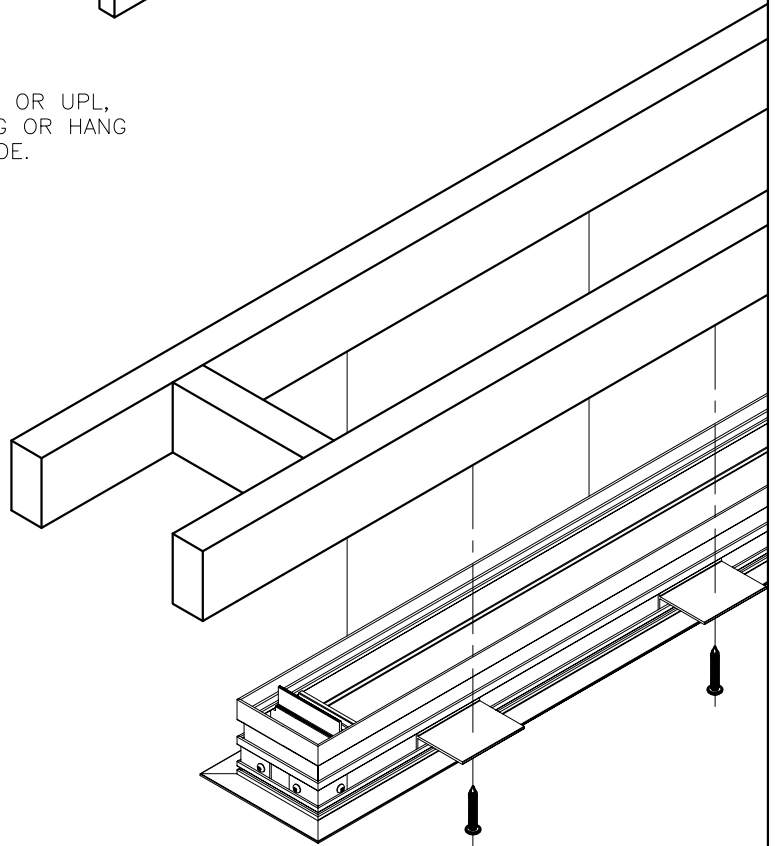
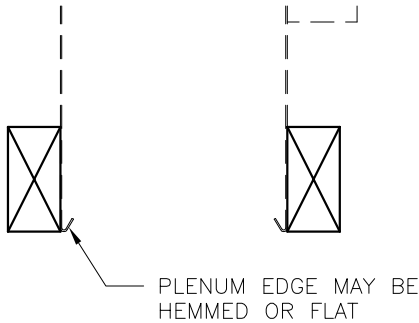
STEP 1:
FRAME CEILING OPENING. REFER TO CHARTS FOR RECOMMENDED OPENING WIDTH AND LENGTH DIMENSIONS.

FRAME TYPE	END CONDITION	CEILING OPENING LENGTH
61SM	ALL	NOMINAL SIZE

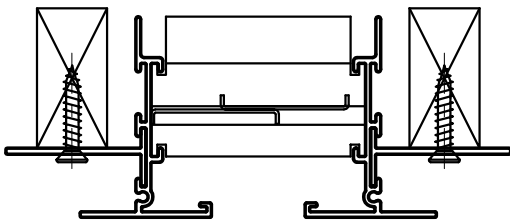
MODEL	SLOT QTY.	OPENING WIDTH
AS210 / JS210	1 SLOT	3 ¹ / ₄ " (83)
	2 SLOT	5 ⁹ / ₁₆ " (141)
AS215 / JS215	1 SLOT	4 ¹ / ₄ " (108)
	2 SLOT	7 ⁹ / ₁₆ " (192)
AS220 / JS220	1 SLOT	5 ¹ / ₄ " (133)
	2 SLOT	9 ⁹ / ₁₆ " (243)
AS225 / JS225	1 SLOT	6 ¹ / ₄ " (159)
	2 SLOT	11 ⁹ / ₁₆ " (294)
AS230 / JS230	1 SLOT	7 ¹ / ₄ " (184)
	2 SLOT	13 ⁹ / ₁₆ " (344)



STEP 2:
INSTALL PLENUM (IF REQUIRED). USE PRICE MODEL UP OR UPL, OR FIELD BUILD PLENUM. SECURE PLENUM TO FRAMING OR HANG FROM STRUCTURE AS REQUIRED BY LOCAL BUILDING CODE. PLENUM MUST BE INSTALLED FLUSH TO FRAMING.



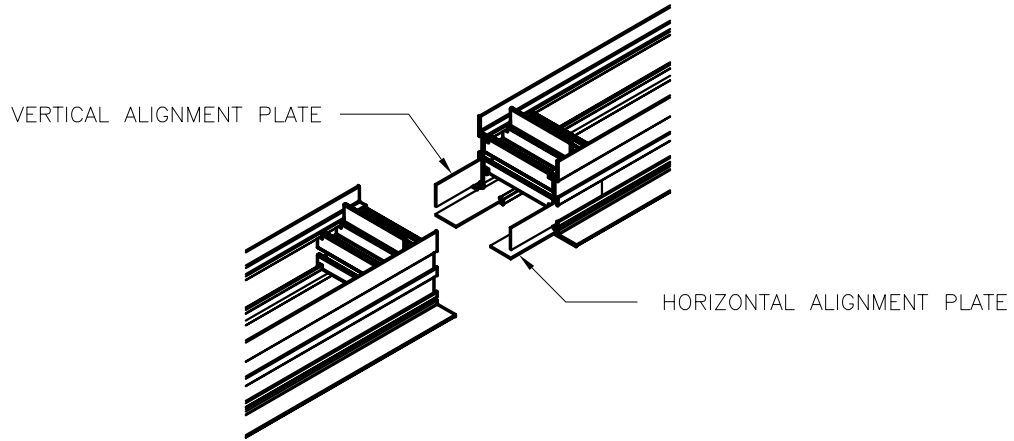
STEP 3:
SCREW DIFFUSER MOUNTING CLIPS TO FRAMING. MOUNTING CLIPS SHOULD BE LOCATED APPROXIMATELY EVERY 12" (305). CLIPS MAY BE REVERSED, TO ALLOW FOR EITHER 5/8" (16) OR 1/2" (13) DRYWALL.



PRICE®	
<i>MG</i>	CUSTOM FLOW
1100029	INSTALLATION INSTRUCTIONS TYPE 61SM
2013/08/13	REV A

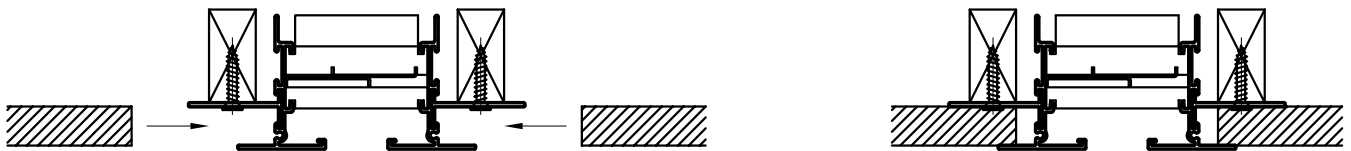
STEP 4:

IF MULTIPLE SECTION DIFFUSERS ARE USED, ALIGN SECTIONS TOGETHER USING THE SUPPLIED SPLICE PLATES AS ADDITIONAL SECTIONS ARE INSTALLED.



STEP 5:

INSTALL DRYWALL BY SLIDING BEHIND DIFFUSER FACE, AND FASTENING TO CEILING FRAMING. FOR EASIEST INSTALLATION, SLIDE TAPERED EDGE OF SHEET BEHIND THE DIFFUSER FACE.



STEP 6:

FINISH AND PAINT DRYWALL.

STEP 7:

ADJUST BLADES FOR DESIRED AIR PATTERN AS PER INSTALLATION INSTRUCTION I100040.

MOUNTING CLIPS:

DIFFUSER SECTION LENGTH	QTY.	DESCRIPTION
UP TO 24"	4	REVERSIBLE MOUNTING CLIP
>24" TO 48"	6	REVERSIBLE MOUNTING CLIP
>48" TO 72"	8	REVERSIBLE MOUNTING CLIP
>72" TO 96"	10	REVERSIBLE MOUNTING CLIP
>96" TO 120"	12	REVERSIBLE MOUNTING CLIP

Y-END ALIGNMENT PLATES:

ITEM	QUANTITY
Y-END HORZ. ALIGN. PLATE	2
Y-END VERT. ALIGN. PLATE	2
Y-END CTR. ALIGN. PLATE (2 SLOT ONLY)	2

PARTS LIST:

TYPE	SIZE	DESCRIPTION	PART NUMBER
AS/JS	ALL	REVERSIBLE MOUNTING CLIP	255149-001
AS/JS	210	Y-END HORIZONTAL ALIGNMENT PLATE	230770-001
AS/JS	215	Y-END HORIZONTAL ALIGNMENT PLATE	230770-002
AS/JS	220	Y-END HORIZONTAL ALIGNMENT PLATE	230770-003
AS/JS	225	Y-END HORIZONTAL ALIGNMENT PLATE	230770-004
AS/JS	230	Y-END HORIZONTAL ALIGNMENT PLATE	230770-005
AS/JS	210	Y-END CENTER ALIGNMENT PLATE	230771-001
AS/JS	215	Y-END CENTER ALIGNMENT PLATE	230771-002
AS/JS	220	Y-END CENTER ALIGNMENT PLATE	230771-003
AS/JS	225	Y-END CENTER ALIGNMENT PLATE	230771-004
AS/JS	230	Y-END CENTER ALIGNMENT PLATE	230771-005
AS/JS	ALL	Y-END VERTICAL ALIGNMENT PLATE	252152-001

PRICE [®]	
<i>MJ</i>	CUSTOM FLOW INSTALLATION INSTRUCTIONS TYPE 61SM
1100029	
2013/08/13	

ALWAYS READ & UNDERSTAND ALL INSTALLATION INSTRUCTIONS PRIOR TO STARTING.

THIS INSTRUCTION APPLIES TO FINISHING THE DRYWALL AFTER INSTALLING:

- CUSTOM FLOW LINEAR DIFFUSERS WITH CONCEALED PLASTER FRAMES – TYPES 22, 22A, 22C, 22P, 22SM AND 22ASM.
- SDS/SDR LINEAR DIFFUSERS WITH CONCEALED PLASTER FRAMES – TYPES 8, 8A.

FOR INSTALLATION OF CUSTOM FLOW DIFFUSERS:

- WITH TYPE 'C' CONCEALED MOUNTING BRACKETS (TYPES 22C AND 22SM), SEE ALSO I100028
- WITH TYPE 'P' MOUNTING BRACKETS (TYPE 22P), SEE ALSO I100031
- WITH TYPE 'A' COUNTERSUNK SCREW MOUNTING (TYPE 22A AND 22ASM), SEE ALSO I100032
- WITH MOUNTING PLATES (TYPE 22), SEE ALSO I100033

FOR INSTALLATION OF SDS/SDR DIFFUSERS:

- WITH CONCEALED MOUNTING BRACKETS (TYPE 8), SEE ALSO I100044
- WITH TYPE 'A' COUNTERSUNK SCREW MOUNTING (TYPE 8A), SEE ALSO I100044

STEP 1:

THOROUGHLY CLEAN DIFFUSER FLANGES TO REMOVE ANY OILS OR RESIDUE FROM THE SURFACE.

STEP 2:

APPLY ONE COAT OF A BONDING AGENT OVER THE ENTIRE SURFACE OF THE FLANGE, AND ALLOW TO DRY PER MANUFACTURER'S INSTRUCTIONS.

STEP 3:

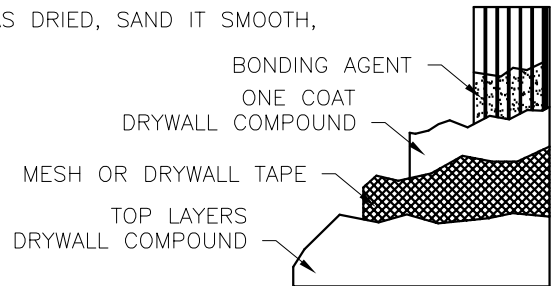
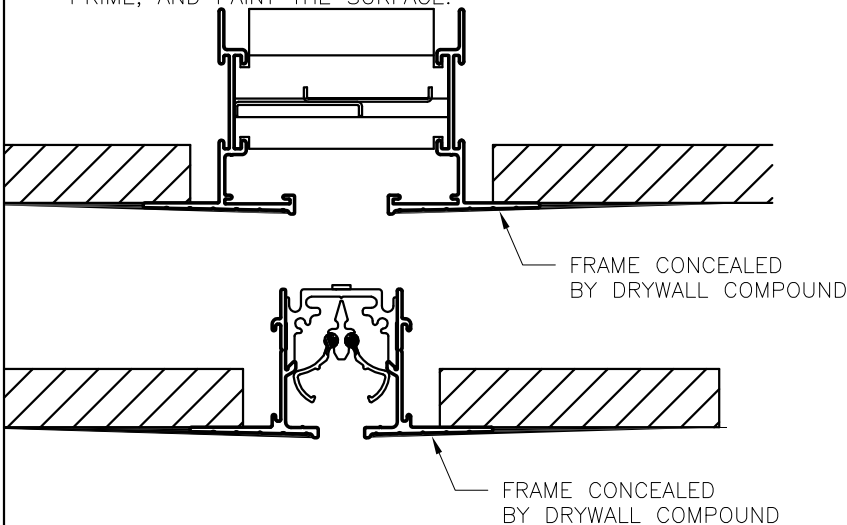
APPLY ONE COAT OF DRYWALL COMPOUND ON THE DIFFUSER FLANGES AND APPROXIMATELY 3" (76) ONTO THE DRYWALL BEYOND THE FLANGE.

STEP 4:

APPLY A 4" (102) WIDE MESH OR PAPER TAPE TO THE JOINT COMPOUND. BE SURE TO SMOOTH IT OUT AND REMOVE ANY AIR POCKETS. THE MESH OR TAPE SHOULD COVER THE DIFFUSER FLANGE, BUT NOT EXTEND ONTO THE VERTICAL INSIDE EDGE OF THE DIFFUSER FRAME. APPLY A SECOND COAT OF DRYWALL COMPOUND OVER THE TAPE AND SMOOTH. ALLOW THIS TO DRY.

STEP 5:

APPLY AT LEAST TWO COATS OF FINISHING COMPOUND. ONCE IT HAS DRIED, SAND IT SMOOTH, PRIME, AND PAINT THE SURFACE.



PRICE [®]	
<i>MG</i>	MUD-IN FRAME
I100030	INSTALLATION INSTRUCTIONS CF TYPES 22, 22A 22C, 22P, 22ASM, 22SM SDS TYPES 8, 8A
2013/08/13	

ALWAYS READ & UNDERSTAND ALL INSTALLATION INSTRUCTIONS PRIOR TO STARTING.

THIS INSTRUCTION APPLIES TO CUSTOM FLOW LINEAR DIFFUSERS, MODELS AS AND JS, WITH TYPE 'P' PLENUM MOUNTING BRACKETS (FRAME TYPES 21P AND 22P) BEING INSTALLED INTO MODELS ASP OR JSP PLENUMS.

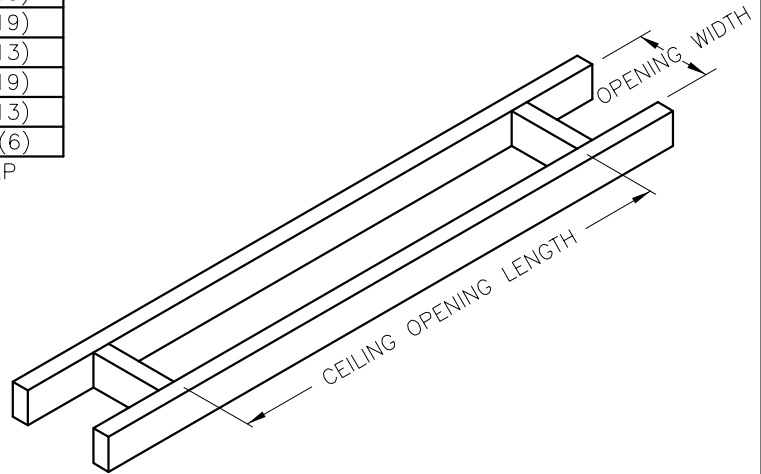
FOR INSTRUCTIONS ON COMPLETING DRYWALL TAPING FOR CONCEALED FRAME TYPE 22P, ALSO SEE INSTALLATION INSTRUCTION I100030.

STEP 1:
FRAME CEILING OPENING. REFER TO CHARTS FOR RECOMMENDED OPENING WIDTH AND LENGTH DIMENSIONS.

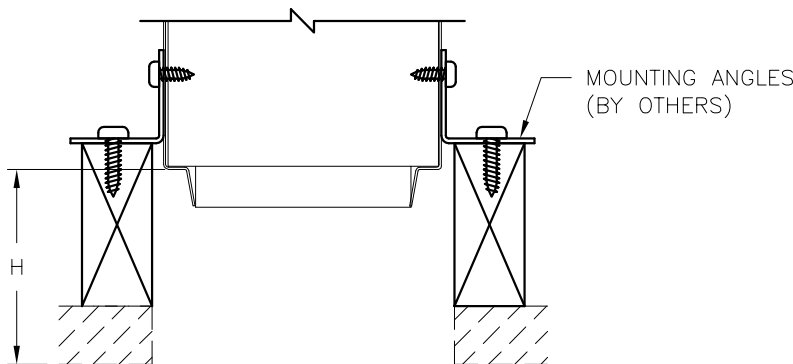
FRAME TYPE	END CONDITION	CEILING OPENING LENGTH
21P, 22P	W-W*	ORDERED SIZE + 3/4" (19)
	W-X*	ORDERED SIZE + 3/4" (19)
	W-Z*	ORDERED SIZE + 1/2" (13)
	X-X	ORDERED SIZE + 3/4" (19)
	X-Z	ORDERED SIZE + 1/2" (13)
	Z-Z	ORDERED SIZE + 1/4" (6)

* W ENDCAPS NOT AVAILABLE ON TYPE 22P

MODEL	SLOT QTY.	OPENING WIDTH
AS210 / JS210	1 SLOT	3 1/4" (83)
	2 SLOT	5 9/16" (141)
AS215 / JS215	1 SLOT	4 1/4" (108)
	2 SLOT	7 9/16" (192)
AS220 / JS220	1 SLOT	5 1/4" (133)
	2 SLOT	9 9/16" (243)
AS225 / JS225	1 SLOT	6 1/4" (159)
	2 SLOT	11 9/16" (294)
AS230 / JS230	1 SLOT	7 1/4" (184)
	2 SLOT	13 9/16" (344)



STEP 2:
INSTALL PLENUM. USE PRICE MODEL ASP OR JSP PLENUM. PLENUM MUST BE INSTALLED IN THE CEILING AT THE HEIGHT ABOVE FINISHED DRYWALL SHOWN. SECURE PLENUM TO FRAMING OR HANG FROM STRUCTURE AS REQUIRED BY LOCAL BUILDING CODE. SUGGESTED INSTALLATION USING MOUNTING ANGLES IS SHOWN.

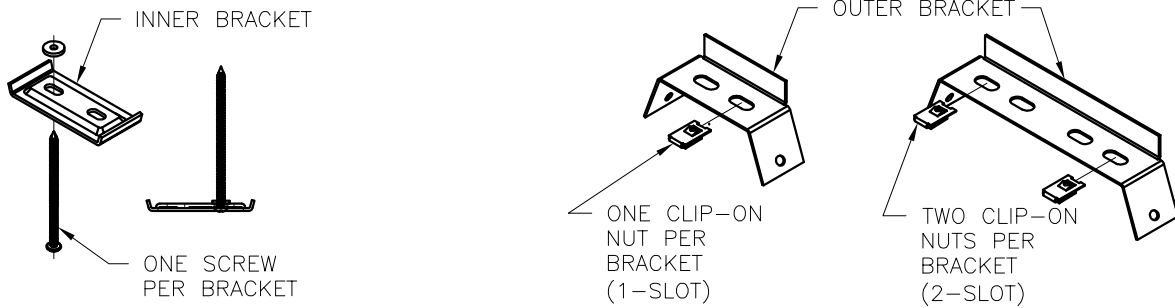


MODEL	H
AS210 / JS210	2 3/16" (56)
AS215 / JS215	2 7/16" (62)
AS220 / JS220	2 1 1/16" (68)
AS225 / JS225	2 15/16" (75)
AS230 / JS230	3 3/16" (81)

STEP 3:
INSTALL DRYWALL. IF USING EXPOSED FRAME, TYPE 21P, FINISH DRYWALL AND PAINT. IF USING CONCEALED FRAMES, TYPE 22P, DO NOT FINISH DRYWALL UNTIL AFTER INSTALLING DIFFUSER.

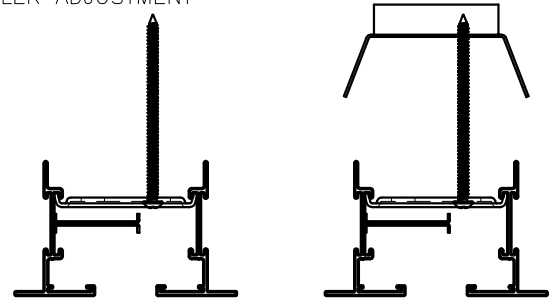
PRICE [®]	
<i>MJ</i>	CUSTOM FLOW
I100031	INSTALLATION INSTRUCTIONS TYPES 21P & 22P
2013/08/13	

STEP 4:
 PREPARE BRACKETS BY INSERTING ONE SCREW THROUGH EACH INNER BRACKET, AND PUSHING A RUBBER GROMMET DOWN THE SHAFT OF THE SCREW. SLIDE CLIP-ON NUT ONTO OUTER BRACKETS.

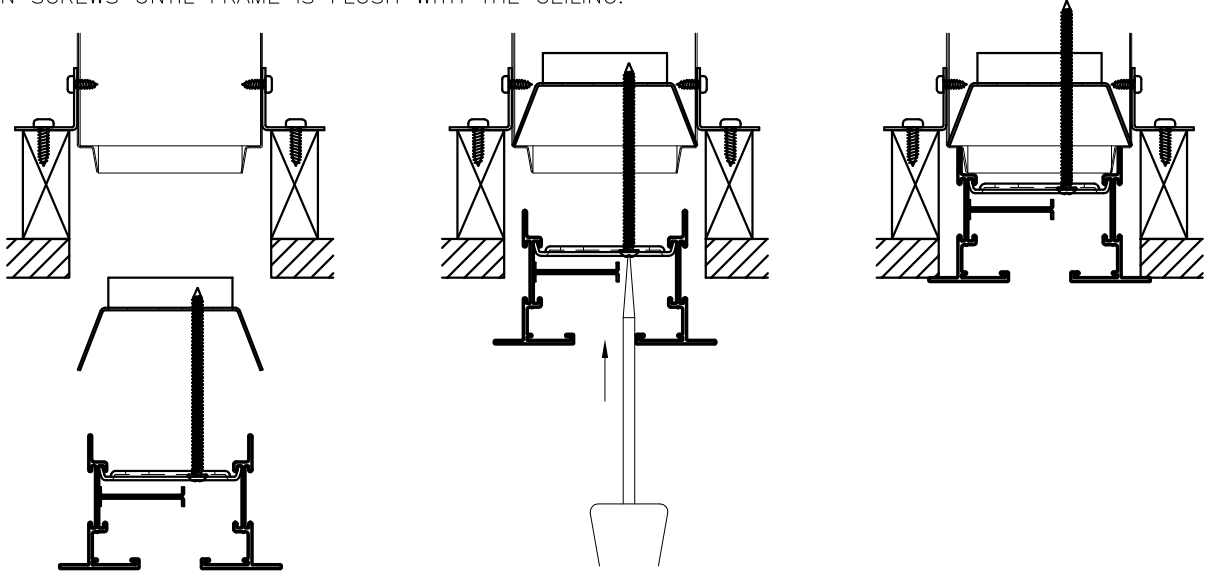


CLIP-ON NUTS MAY BE LOCATED IN EITHER HOLE, AS REQUIRED FOR PATTERN CONTROLLER ADJUSTMENT

STEP 5:
 INSTALL INNER BRACKETS INTO DIFFUSER. DEFLECT FRAME STACK AND SNAP BRACKET INTO DIFFUSER FRAME. BRACKETS ARE REQUIRED APPROXIMATELY EVERY 36" (914) TO 48" (1219). THREAD OUTER BRACKET 1/4" (6) ONTO SCREWS.



STEP 6:
 POSITION DIFFUSER IN CEILING. USING A SCREWDRIVER, PUSH UPWARD ON THE SCREW UNTIL THE BRACKET SNAPS IN PLACE. IF DIFFUSER IS MULTIPLE SECTIONS IN LENGTH, ALIGN SECTIONS USING SPLICE PLATES. TIGHTEN SCREWS UNTIL FRAME IS FLUSH WITH THE CEILING.



STEP 7:
 ADJUST BLADES FOR DESIRED AIR PATTERN AS PER INSTALLATION INSTRUCTION I100040. IF USING CONCEALED FRAME, TYPE 22P, FINISH DRYWALL CEILING AS PER INSTALLATION INSTRUCTION I100030.

Y-END ALIGNMENT PLATES:

ITEM	QUANTITY
Y-END HORIZ. ALIGN. PLATE	2
Y-END VERT. ALIGN. PLATE	2
Y-END CTR. ALIGN. PLATE (2 SLOT ONLY)	2

PRICE®	
<i>MG</i>	CUSTOM FLOW
I100031	INSTALLATION INSTRUCTIONS TYPES 21P & 22P
2013/08/13	


MOUNTING BRACKETS:

DIFFUSER SECTION LENGTH	KIT QTY.
UP TO 48"	2
>48" TO 96"	3
>96"	4

EACH KIT INCLUDES:								
INNER BRACKET		OUTER BRACKET	RUB. GROMMET		SCREW		CLIP-ON NUT	
QTY.		QTY.	QTY.		QTY.		QTY.	
1 SLOT	2 SLOT	1 OR 2 SLOT	1 SLOT	2 SLOT	1 SLOT	2 SLOT	1 OR 2 SLOT	
1	2	1	1	2	1	2	2	

PARTS LIST:

TYPE	SIZE	DESCRIPTION	PART NUMBER
AS/JS	210	1 SLOT P MOUNTING BRACKET KIT	232065-001
AS/JS	215	1 SLOT P MOUNTING BRACKET KIT	232065-002
AS/JS	220	1 SLOT P MOUNTING BRACKET KIT	232065-003
AS/JS	225	1 SLOT P MOUNTING BRACKET KIT	232065-004
AS/JS	230	1 SLOT P MOUNTING BRACKET KIT	232065-005
AS/JS	210	2 SLOT P MOUNTING BRACKET KIT	232066-001
AS/JS	215	2 SLOT P MOUNTING BRACKET KIT	232066-002
AS/JS	220	2 SLOT P MOUNTING BRACKET KIT	232066-003
AS/JS	225	2 SLOT P MOUNTING BRACKET KIT	232066-004
AS/JS	230	2 SLOT P MOUNTING BRACKET KIT	232066-005
AS/JS	210	INNER BRACKET	232030-001
AS/JS	215	INNER BRACKET	232030-002
AS/JS	220	INNER BRACKET	232030-003
AS/JS	225	INNER BRACKET	232030-004
AS/JS	230	INNER BRACKET	232030-005
AS/JS	210	OUTER BRACKET 1 SLOT	232026-001
AS/JS	215	OUTER BRACKET 1 SLOT	232026-002
AS/JS	220	OUTER BRACKET 1 SLOT	232026-003
AS/JS	225	OUTER BRACKET 1 SLOT	232026-004
AS/JS	230	OUTER BRACKET 1 SLOT	232026-005
AS/JS	210	OUTER BRACKET 2 SLOT	232027-001
AS/JS	215	OUTER BRACKET 2 SLOT	232027-002
AS/JS	220	OUTER BRACKET 2 SLOT	232027-003
AS/JS	225	OUTER BRACKET 2 SLOT	232027-004
AS/JS	230	OUTER BRACKET 2 SLOT	232027-005
AS/JS	ALL	RUBBER GROMMET	033363-001
AS/JS	ALL	NUMBER 8 SCREW 3"	031724-001
AS/JS	ALL	CLIP-ON NUT	032160-001
AS/JS	210	Y-END HORIZONTAL ALIGNMENT PLATE	230770-001
AS/JS	215	Y-END HORIZONTAL ALIGNMENT PLATE	230770-002
AS/JS	220	Y-END HORIZONTAL ALIGNMENT PLATE	230770-003
AS/JS	225	Y-END HORIZONTAL ALIGNMENT PLATE	230770-004
AS/JS	230	Y-END HORIZONTAL ALIGNMENT PLATE	230770-005
AS/JS	210	Y-END CENTER ALIGNMENT PLATE	230771-001
AS/JS	215	Y-END CENTER ALIGNMENT PLATE	230771-002
AS/JS	220	Y-END CENTER ALIGNMENT PLATE	230771-003
AS/JS	225	Y-END CENTER ALIGNMENT PLATE	230771-004
AS/JS	230	Y-END CENTER ALIGNMENT PLATE	230771-005
AS/JS	ALL	Y-END VERTICAL ALIGNMENT PLATE	243177-001

PRICE [®]	
	CUSTOM FLOW
1100031	INSTALLATION INSTRUCTIONS TYPES 21P & 22P
2013/08/13	

ALWAYS READ & UNDERSTAND ALL INSTALLATION INSTRUCTIONS PRIOR TO STARTING.

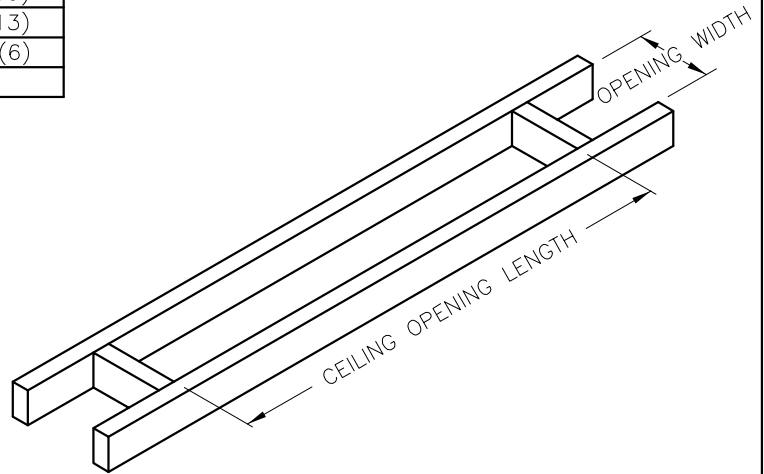
THIS INSTRUCTION APPLIES TO CUSTOM FLOW LINEAR DIFFUSERS, MODELS AS AND JS, WITH CONCEALED FRAME AND TYPE 'A' SCREW MOUNTING (FRAME TYPES 22A AND 22ASM).

FOR INSTRUCTIONS ON COMPLETING DRYWALL TAPING AFTER INSTALLING DIFFUSER, ALSO SEE INSTALLATION INSTRUCTION I100030.

STEP 1:
FRAME CEILING OPENING. REFER TO CHARTS FOR RECOMMENDED OPENING WIDTH AND LENGTH DIMENSIONS.

FRAME TYPE	END CONDITION	CEILING OPENING LENGTH
22A	X-X	ORDERED SIZE + 3/4" (19)
	X-Z	ORDERED SIZE + 1/2" (13)
	Z-Z	ORDERED SIZE + 1/4" (6)
22ASM	ALL	NOMINAL SIZE

MODEL	SLOT QTY.	OPENING WIDTH
AS210 / JS210	1 SLOT	3 1/4" (83)
	2 SLOT	5 9/16" (141)
AS215 / JS215	1 SLOT	4 1/4" (108)
	2 SLOT	7 9/16" (192)
AS220 / JS220	1 SLOT	5 1/4" (133)
	2 SLOT	9 9/16" (243)
AS225 / JS225	1 SLOT	6 1/4" (159)
	2 SLOT	11 9/16" (294)
AS230 / JS230	1 SLOT	7 1/4" (184)
	2 SLOT	13 9/16" (344)

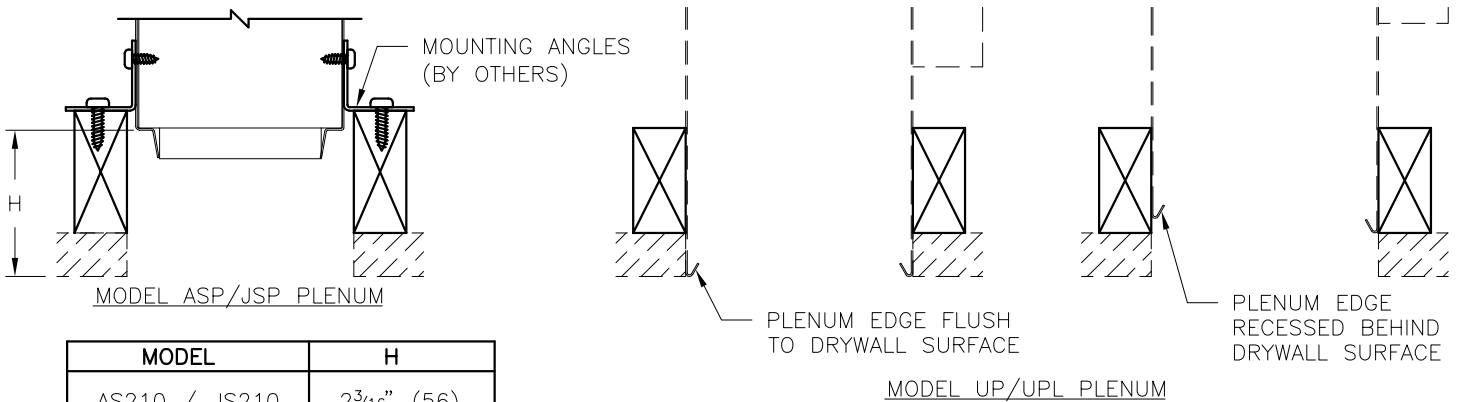


STEP 2:
INSTALL PLENUM (IF REQUIRED).

FOR PRICE MODEL ASP OR JSP PLENUM, PLENUM MUST BE INSTALLED IN THE CEILING AT THE HEIGHT ABOVE FINISHED DRYWALL SHOWN. SUGGESTED INSTALLATION USING MOUNTING ANGLES IS SHOWN.

FOR PRICE MODEL UP OR UPL PLENUM, OR FIELD BUILT PLENUM, PLENUM MAY BE INSTALLED FLUSH TO FRAMING, OR LOCATED TO BE FLUSH WITH FINISHED DRYWALL.

SECURE PLENUM TO FRAMING OR HANG FROM STRUCTURE AS REQUIRED BY LOCAL BUILDING CODE.



MODEL	H
AS210 / JS210	2 3/16" (56)
AS215 / JS215	2 7/16" (62)
AS220 / JS220	2 1 1/16" (68)
AS225 / JS225	2 15/16" (75)
AS230 / JS230	3 3/16" (81)

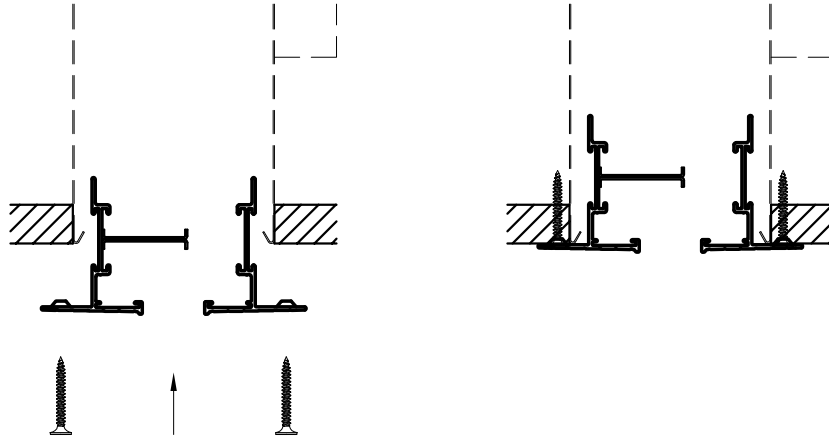
PRICE [®]	
<i>MG</i>	CUSTOM FLOW
I100032	INSTALLATION INSTRUCTIONS TYPES 22A & 22ASM
2013/08/13	

STEP 3:

INSTALL DRYWALL. FOR BEST FINISH, USE TAPERED EDGES OF THE DRYWALL AROUND THE OPENING.. DO NOT FINISH DRYWALL UNTIL AFTER INSTALLING DIFFUSER.

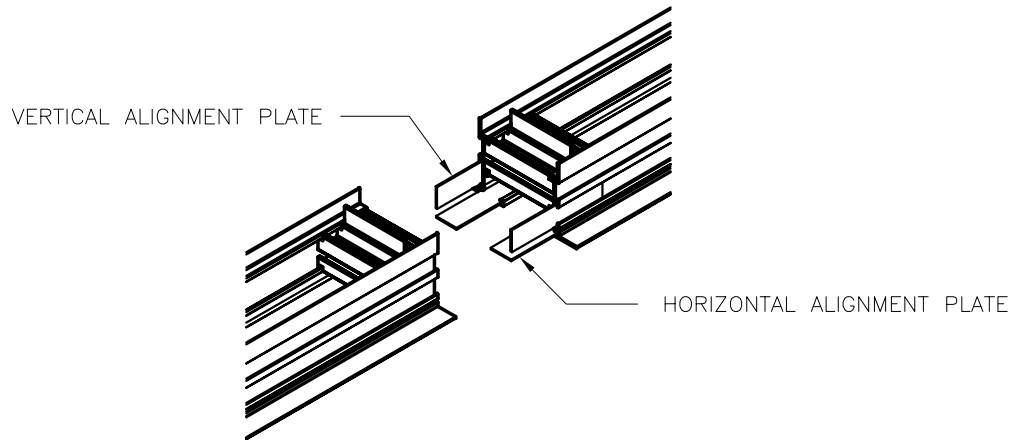
STEP 4:

INSTALL DIFFUSER INTO CEILING USING DRYWALL SCREWS.



STEP 5:

IF DIFFUSER IS MULTIPLE SECTIONS IN LENGTH, CONTINUE INSTALLING SECTIONS, AND ALIGN SECTIONS USING SPLICE PLATES.



STEP 6:

FINISH DRYWALL CEILING AS PER INSTALLATION INSTRUCTION I100030.

STEP 7:

ADJUST BLADES FOR DESIRED AIR PATTERN AS PER INSTALLATION INSTRUCTION I100040.

Y-END ALIGNMENT PLATES:

ITEM	QUANTITY
Y-END HORZ. ALIGN. PLATE	2
Y-END VERT. ALIGN. PLATE	2
Y-END CTR. ALIGN. PLATE (2 SLOT ONLY)	2

PRICE [®]	
<i>MJ</i>	CUSTOM FLOW
I100032	INSTALLATION INSTRUCTIONS TYPES 22A & 22ASM
2013/08/13	

PARTS LIST:

TYPE	SIZE	DESCRIPTION	PART NUMBER
AS/JS	210	Y-END HORIZONTAL ALIGNMENT PLATE	230770-001
AS/JS	215	Y-END HORIZONTAL ALIGNMENT PLATE	230770-002
AS/JS	220	Y-END HORIZONTAL ALIGNMENT PLATE	230770-003
AS/JS	225	Y-END HORIZONTAL ALIGNMENT PLATE	230770-004
AS/JS	230	Y-END HORIZONTAL ALIGNMENT PLATE	230770-005
AS/JS	210	Y-END CENTER ALIGNMENT PLATE	230771-001
AS/JS	215	Y-END CENTER ALIGNMENT PLATE	230771-002
AS/JS	220	Y-END CENTER ALIGNMENT PLATE	230771-003
AS/JS	225	Y-END CENTER ALIGNMENT PLATE	230771-004
AS/JS	230	Y-END CENTER ALIGNMENT PLATE	230771-005
AS/JS	ALL	Y-END VERTICAL ALIGNMENT PLATE	243177-001

PRICE [®]	
<i>MG</i>	CUSTOM FLOW INSTALLATION INSTRUCTIONS TYPES 22A & 22ASM
1100032	
2013/08/13	

ALWAYS READ & UNDERSTAND ALL INSTALLATION INSTRUCTIONS PRIOR TO STARTING.

THIS INSTRUCTION APPLIES TO CUSTOM FLOW LINEAR DIFFUSERS, MODELS AS AND JS, SUPPLIED WITH MOUNTING PLATES (FRAME TYPES 21 AND 22).

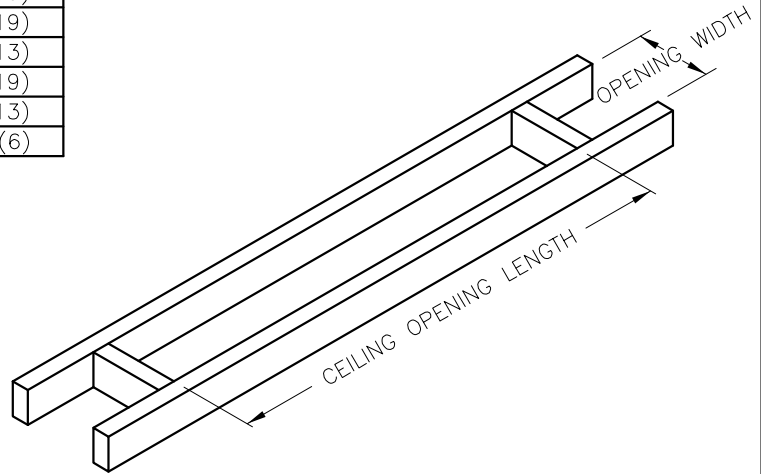
FOR INSTRUCTIONS ON COMPLETING DRYWALL TAPING FOR CONCEALED FRAME TYPE 22, ALSO SEE INSTALLATION INSTRUCTION I100030.

STEP 1:
FRAME CEILING OPENING. REFER TO CHARTS FOR RECOMMENDED OPENING WIDTH AND LENGTH DIMENSIONS.

FRAME TYPE	END CONDITION	CEILING OPENING LENGTH
21, 22	W-W*	ORDERED SIZE + 3/4" (19)
	W-X*	ORDERED SIZE + 3/4" (19)
	W-Z*	ORDERED SIZE + 1/2" (13)
	X-X	ORDERED SIZE + 3/4" (19)
	X-Z	ORDERED SIZE + 1/2" (13)
	Z-Z	ORDERED SIZE + 1/4" (6)

* W ENDCAPS NOT AVAILABLE ON TYPE 22

MODEL	SLOT QTY.	OPENING WIDTH
AS210 / JS210	1 SLOT	3 1/4" (83)
	2 SLOT	5 9/16" (141)
AS215 / JS215	1 SLOT	4 1/4" (108)
	2 SLOT	7 9/16" (192)
AS220 / JS220	1 SLOT	5 1/4" (133)
	2 SLOT	9 9/16" (243)
AS225 / JS225	1 SLOT	6 1/4" (159)
	2 SLOT	11 9/16" (294)
AS230 / JS230	1 SLOT	7 1/4" (184)
	2 SLOT	13 9/16" (344)

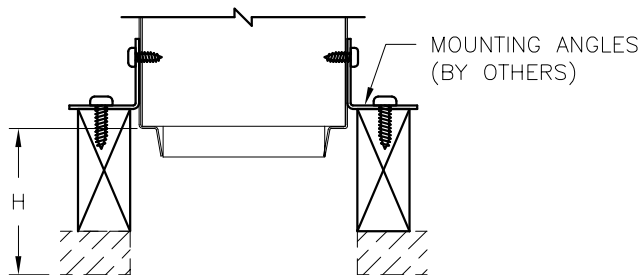


STEP 2:

INSTALL PLENUM (IF REQUIRED). USE PRICE MODEL ASP OR JSP, OR FIELD BUILT PLENUM. FOR ASP / JSP, PLENUM MUST BE INSTALLED IN THE CEILING AT THE HEIGHT ABOVE FINISHED DRYWALL SHOWN. SUGGESTED INSTALLATION USING MOUNTING ANGLES IS SHOWN.

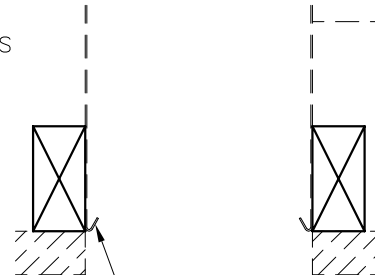
FIELD BUILT PLENUM SHOULD BE INSTALLED FLUSH TO FRAMING MEMBERS.

SECURE PLENUM TO FRAMING OR HANG FROM STRUCTURE AS REQUIRED BY LOCAL BUILDING CODE. PLENUM MAY BE INSTALLED FLUSH TO FRAMING, OR LOCATED TO BE FLUSH WITH FINISHED DRYWALL.



ASP / JSP PLENUM INSTALLATION

MODEL	H
AS210 / JS210	2 3/16" (56)
AS215 / JS215	2 7/16" (62)
AS220 / JS220	2 11/16" (68)
AS225 / JS225	2 15/16" (75)
AS230 / JS230	3 3/16" (81)

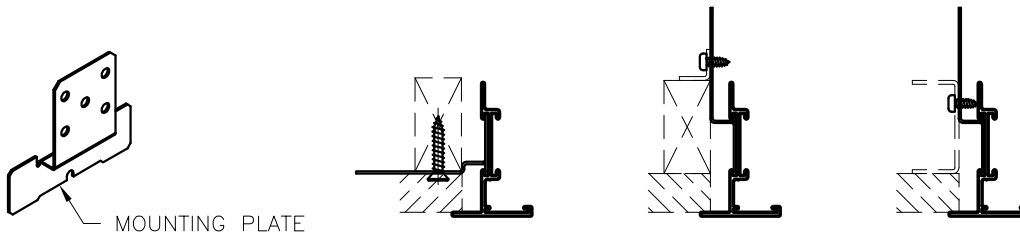


FIELD BUILT PLENUM INSTALLATION
PLENUM EDGE RECESSED BEHIND DRYWALL SURFACE (HEM IS OPTIONAL)

PRICE [®]	
<i>MJ</i>	CUSTOM FLOW
I100033	INSTALLATION INSTRUCTIONS TYPES 21 & 22
2013/08/13	

STEP 3:

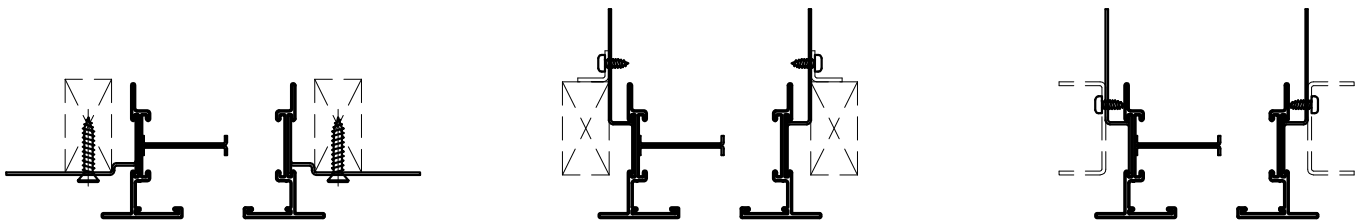
PREPARE MOUNTING PLATES. BEND AS REQUIRED – SUGGESTED INSTALLATIONS ARE SHOWN BELOW. THE SELECTED BRACKET CONFIGURATION MUST NOT INTERFERE WITH THE PLENUM MOUNTING. SLIDE MOUNTING PLATES INTO THE CHANNELS ON BOTH SIDES OF THE DIFFUSER ON APPROXIMATELY 36" (914) SPACING.



MOUNTING PLATE

STEP 4:

SCREW MOUNTING PLATES TO FRAMEWORK. TEMPORARY SPACERS MAY BE USED DURING INSTALLATION TO ADJUST THE DIFFUSER TO THE CORRECT LOCATION FOR THE DRYWALL.

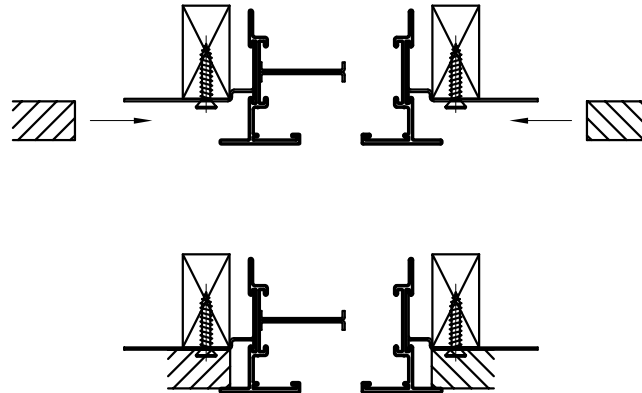


STEP 5:

IF MULTIPLE SECTION DIFFUSERS ARE USED, ALIGN SECTIONS TOGETHER USING THE SUPPLIED SPLICE PLATES AS ADDITIONAL SECTIONS ARE INSTALLED.

STEP 6:

INSTALL DRYWALL BY SLIDING BEHIND DIFFUSER FACE, AND FASTENING TO CEILING FRAMING. FOR EASIEST INSTALLATION, SLIDE TAPERED EDGE OF SHEET BEHIND THE DIFFUSER FACE..



STEP 7:

FINISH AND PAINT DRYWALL. IF USING CONCEALED FRAMES, STYLE 22, SEE INSTALLATION INSTRUCTION I100030.

STEP 8:

ADJUST BLADES FOR DESIRED AIR PATTERN AS PER INSTALLATION INSTRUCTION I100040.

PRICE®	
<i>MG</i>	CUSTOM FLOW
I100033	INSTALLATION INSTRUCTIONS TYPES 21 & 22
2013/08/13	

MOUNTING CLIPS:


DIFFUSER SECTION LENGTH	QTY.	DESCRIPTION
UP TO 24"	4	MOUNTING CLIP
>24" TO 48"	6	MOUNTING CLIP
>48" TO 72"	8	MOUNTING CLIP
>72" TO 96"	10	MOUNTING CLIP
>96" TO 120"	12	MOUNTING CLIP

Y-END ALIGNMENT PLATES:

ITEM	QUANTITY
Y-END HORZ. ALIGN. PLATE	2
Y-END VERT. ALIGN. PLATE	2
Y-END CTR. ALIGN. PLATE (2 SLOT ONLY)	2

PARTS LIST:

TYPE	SIZE	DESCRIPTION	PART NUMBER
AS/JS	ALL	FIELD BENT MOUNTING CLIP	243163-001
AS/JS	210	5/8" MOUNTING CLIP	243163-002
AS/JS	215	5/8" MOUNTING CLIP	243163-003
AS/JS	220	5/8" MOUNTING CLIP	243163-004
AS/JS	225	5/8" MOUNTING CLIP	243163-005
AS/JS	230	5/8" MOUNTING CLIP	243163-006
AS/JS	210	Y-END HORIZONTAL ALIGNMENT PLATE	230770-001
AS/JS	215	Y-END HORIZONTAL ALIGNMENT PLATE	230770-002
AS/JS	220	Y-END HORIZONTAL ALIGNMENT PLATE	230770-003
AS/JS	225	Y-END HORIZONTAL ALIGNMENT PLATE	230770-004
AS/JS	230	Y-END HORIZONTAL ALIGNMENT PLATE	230770-005
AS/JS	210	Y-END CENTER ALIGNMENT PLATE	230771-001
AS/JS	215	Y-END CENTER ALIGNMENT PLATE	230771-002
AS/JS	220	Y-END CENTER ALIGNMENT PLATE	230771-003
AS/JS	225	Y-END CENTER ALIGNMENT PLATE	230771-004
AS/JS	230	Y-END CENTER ALIGNMENT PLATE	230771-005
AS/JS	ALL	Y-END VERTICAL ALIGNMENT PLATE	243177-001

PRICE [®]	
	CUSTOM FLOW INSTALLATION INSTRUCTIONS TYPES 21 & 22
1100033	
2013/08/13	

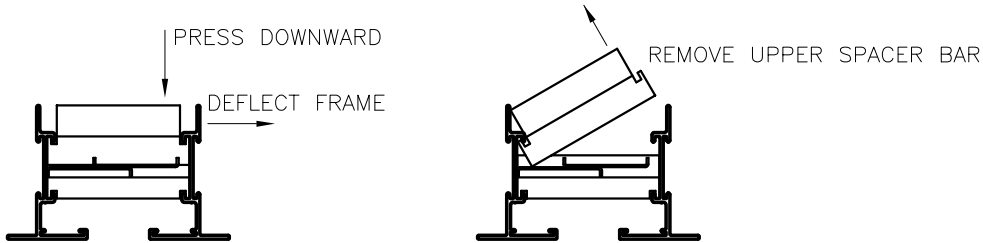
ALWAYS READ & UNDERSTAND ALL INSTALLATION INSTRUCTIONS PRIOR TO STARTING.

THIS INSTRUCTION APPLIES TO CUSTOM FLOW LINEAR DIFFUSERS, MODELS AS AND JS.

FIELD TRIMMING OF X-X (MITRED) END CONDITIONS IS NOT RECOMMENDED. FIELD TRIMMING ON MULTIPLE SECTION UNITS WITH MITRED ENDS MAY BE ACCOMPLISHED BY TRIMMING THE OPEN END.

STEP 1:

REMOVE ENDCAP, IF REQUIRED. REMOVE UPPER SPACER BAR AT ONE END – APPLY DOWNWARD PRESSURE TO COMPRESS GASKET, DEFLECT THE FRAME OUTWARD, AND REMOVE.



STEP 2:

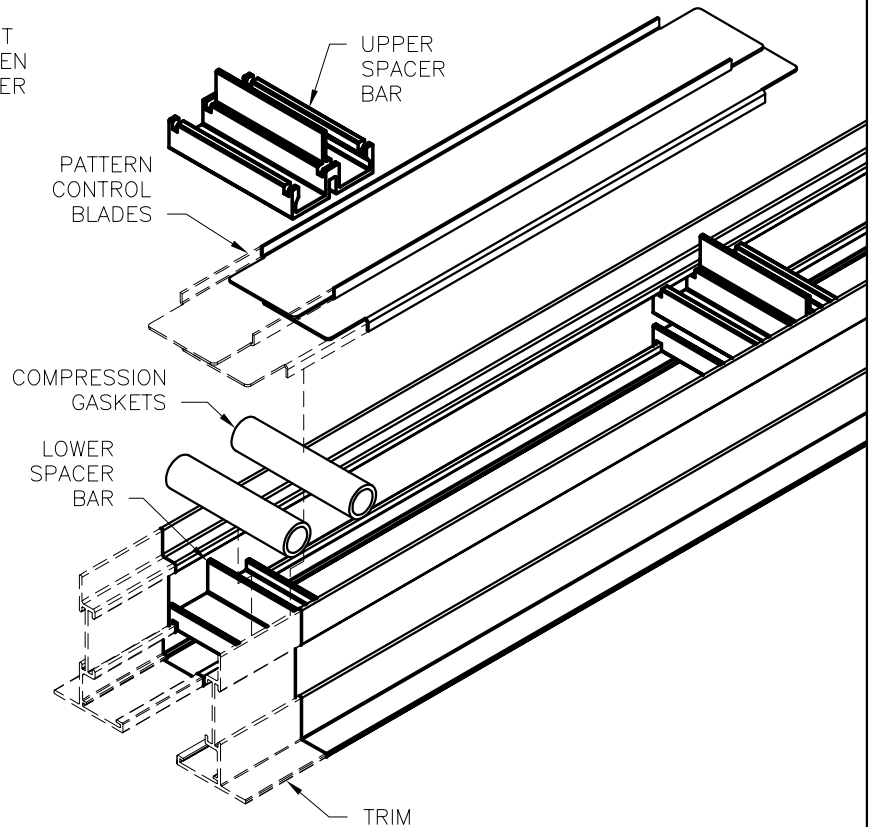
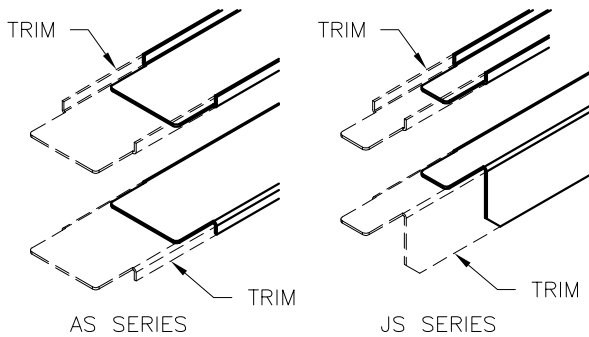
REMOVE THE PATTERN CONTROL BLADES, LOWER SPACER BAR AND COMPRESSION GASKETS.

STEP 3:

CUT FRAMES TO LENGTH, MAKING SURE THE CUT IS CLEAN AND SQUARE. CARE SHOULD BE TAKEN NOT TO CHIP THE PAINT WHEN CUTTING. SPACER BARS MAY BE REINSTALLED, IF REQUIRED, TO SUPPORT THE FRAMES WHILE CUTTING.

STEP 4:

CAREFULLY TRIM PATTERN CONTROL BLADES TO LENGTH USING TIN SNIPS, AND NOTCH FLANGES 11/16" (17), AS SHOWN.



STEP 5:

REPLACE LOWER SPACER BAR. PLACE COMPRESSION GASKETS ON LOWER SPACER BAR. SLIDE BLADES INTO PLACE, REPLACE UPPER SPACER BAR, AND HOOK INTO FRAME STACK BY DEFLECTING FRAME OUTWARDS.

STEP 6:

CONTINUE INSTALLATION OF DIFFUSER AS REQUIRED, AND ADJUST BLADES FOR DESIRED AIR DISCHARGE PATTERN. AS PER INSTALLATION INSTRUCTION I100040

PRICE [®]	
<i>MG</i>	CUSTOM FLOW INSTRUCTIONS FOR FIELD TRIMMING
I100034	
2013/08/13	

ALWAYS READ & UNDERSTAND ALL INSTALLATION INSTRUCTIONS PRIOR TO STARTING.

THIS INSTRUCTION APPLIES TO CUSTOM FLOW LINEAR DIFFUSERS, MODELS AS AND JS, FOR INSTALLATION IN CONTINUOUS RUNS IN SUSPENDED T-BAR CEILINGS (TYPES 21, 21P AND 21LI).

STEP 1:

INSTALL PERIMETER WALL ANGLE FOR CEILING SYSTEM. MAIN AND CROSS TEE INSTALLATION MAY ALSO PROCEED, EXCEPT FOR ANY CROSS TEES THAT WILL REST ON THE BACK OF THE DIFFUSER FACE.

STEP 2:

SUSPEND DIFFUSER SECTION USING HANGER WIRE THROUGH MOUNTING PLATE.

NOTE – IT MAY BE EASIER TO INSTALL PLENUMS TO DIFFUSER, OR SUSPEND PLENUMS FROM THE CEILING STRUCTURE PRIOR TO INSTALLING DIFFUSER.

STEP 3:

CONTINUE HANGING DIFFUSER SECTIONS, CONNECTING SECTIONS TOGETHER WITH ALIGNMENT SPLICE PLATES, AS REQUIRED.

ADJUST HANGER WIRES TO MAKE DIFFUSERS HANG LEVEL.

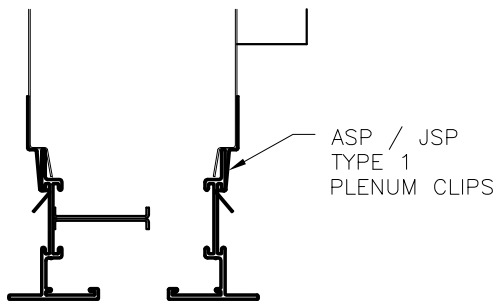
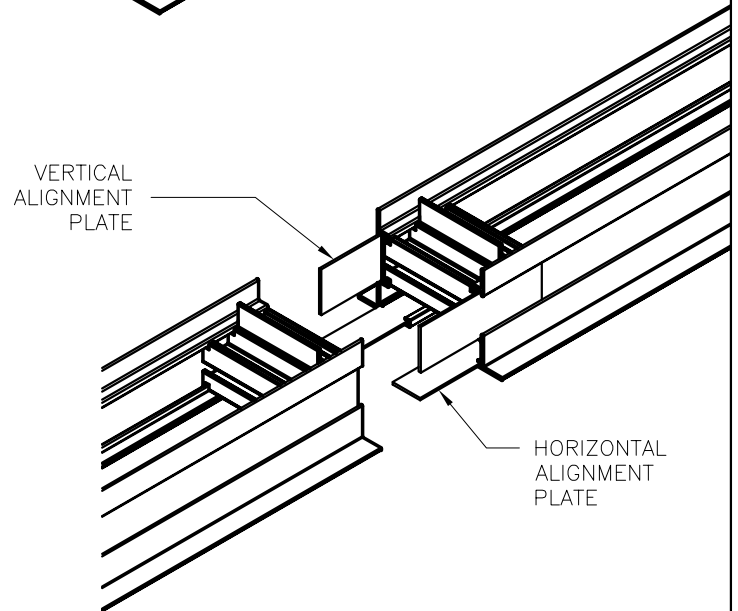
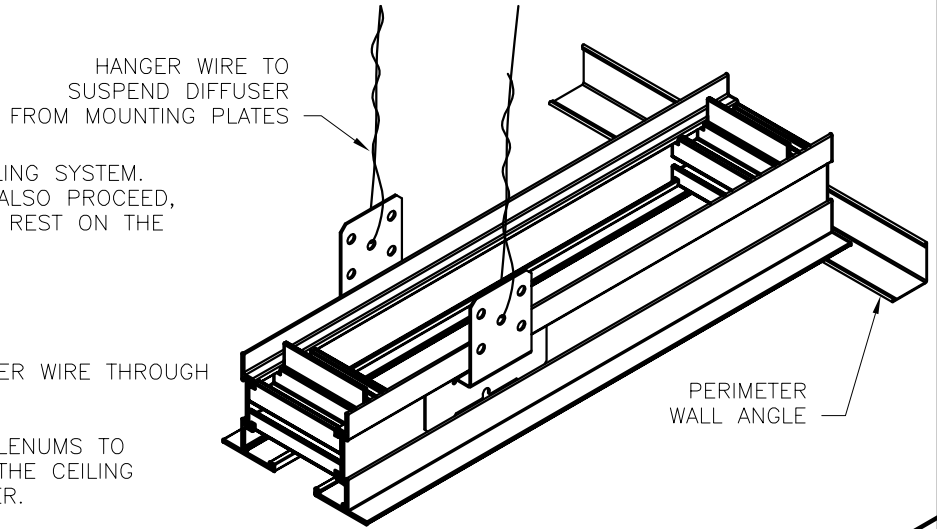
STEP 4:

ATTACH PLENUM TO DIFFUSER. HANG OR SECURE PLENUM TO STRUCTURE AS REQUIRED BY LOCAL BUILDING CODES.

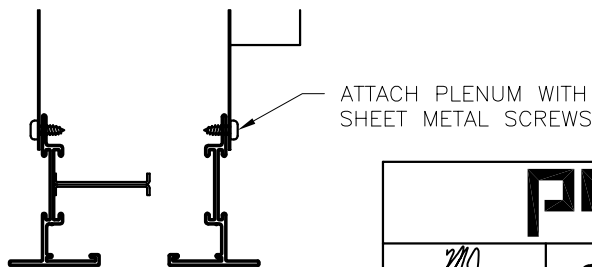
FOR TYPE 21P DIFFUSER, MOUNT ASP / JSP PLENUM BY CLIPPING IN PLACE, AS SHOWN.

FOR TYPE 21LI DIFFUSER, MOUNT UP / UPL PLENUM BY SCREWING PLENUM TO DIFFUSER FRAME, AS SHOWN.

(SEE PAGE 2 FOR TYPE 21P DETAILS)



TYPE 21 WITH ASP / JSP

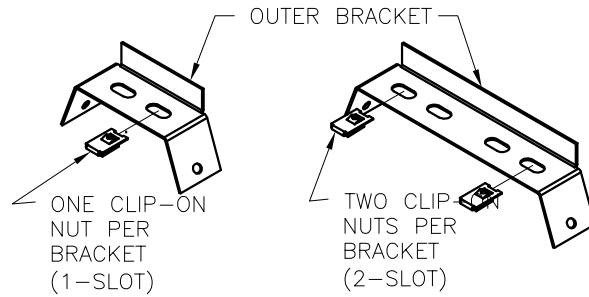
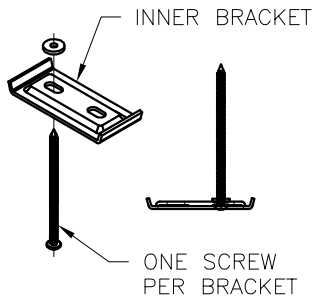


TYPE 21LI WITH UP / UPL

PRICE [®]	
<i>MG</i>	CUSTOM FLOW
1100035	INSTALLATION INSTRUCTIONS T-BAR CEILINGS
2013/08/13	

STEP 4 (CONTINUED):

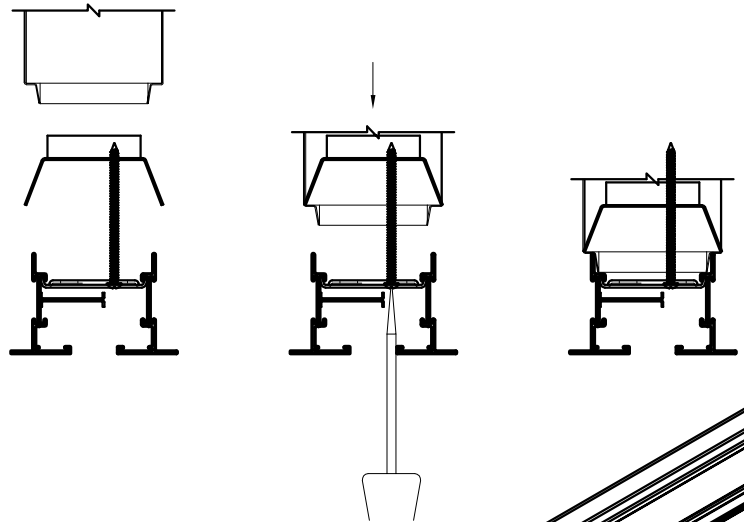
FOR TYPE 21P WITH ASP / JSP PLENUMS, BEGIN BY PREPARING BRACKETS. INSERT ONE SCREW THROUGH EACH INNER BRACKET, AND PUSH A RUBBER GROMMET DOWN THE SHAFT OF THE SCREW. SLIDE CLIP-ON NUT ONTO OUTER BRACKETS.



CLIP-ON NUTS MAY BE LOCATED IN EITHER HOLE, AS REQUIRED FOR PATTERN CONTROLLER ADJUSTMENT

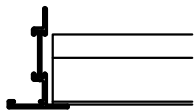
DEFLECT FRAME STACK AND SNAP BRACKET INTO DIFFUSER FRAME. BRACKETS ARE REQUIRED APPROXIMATELY EVERY 36" (914) TO 48" (1219). THREAD OUTER BRACKET 1/4" (6) ONTO SCREWS.

POSITION PLENUM ON DIFFUSER. USING A SCREWDRIVER, PUSH UPWARD ON THE SCREW UNTIL THE BRACKET SNAPS IN PLACE. TIGHTEN SCREWS.

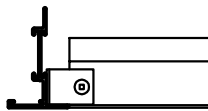


STEP 5:

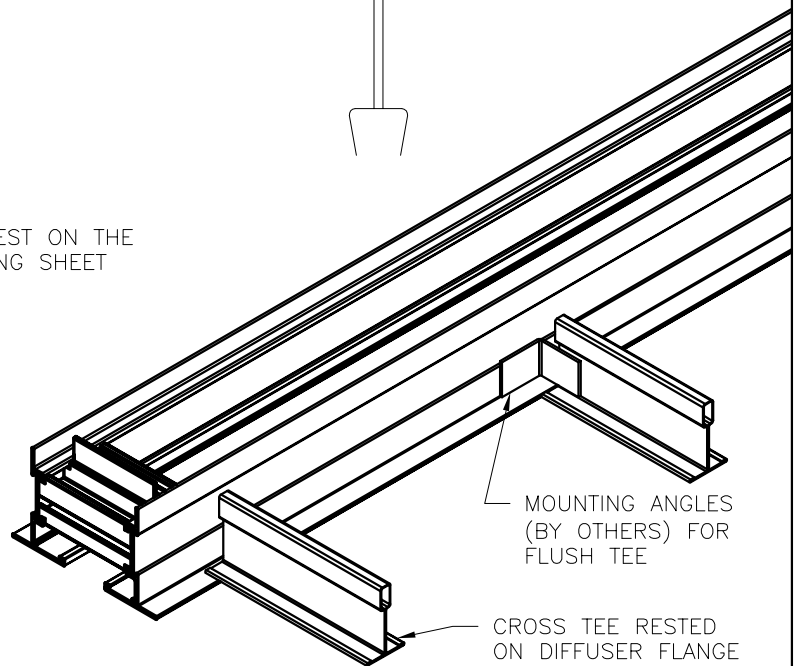
COMPLETE T-BAR INSTALLATION. CROSS TEES MAY REST ON THE DIFFUSER FLANGE, OR CUT FLUSH AND ATTACHED USING SHEET METAL ANGLES, AS SHOWN. INSTALL CEILING TILES.



CROSS TEE RESTED ON DIFFUSER FLANGE



CROSS TEE FLUSH TO DIFFUSER FACE USING MOUNTING ANGLE (BY OTHERS)



STEP 6:

ADJUST BLADES FOR DESIRED AIR PATTERN AS PER INSTALLATION INSTRUCTION I100040.

Y-END ALIGNMENT PLATES:

ITEM	QUANTITY
Y-END HORZ. ALIGN. PLATE	2
Y-END VERT. ALIGN. PLATE	2
Y-END CTR. ALIGN. PLATE (2 SLOT ONLY)	2

MOUNTING CLIPS:

DIFFUSER SECTION LENGTH	QTY.	DESCRIPTION
UP TO 24"	4	MOUNTING CLIP
>24" TO 48"	6	MOUNTING CLIP
>48" TO 72"	8	MOUNTING CLIP
>72" TO 96"	10	MOUNTING CLIP
>96" TO 120"	12	MOUNTING CLIP

MOUNTING BRACKETS:

DIFFUSER SECTION LENGTH	KIT QTY.
UP TO 48"	2
>48" TO 96"	3
>96"	4

EACH KIT INCLUDES:

INNER BRACKET QTY.		OUTER BRACKET QTY.	RUB. GROMMET QTY.		SCREW QTY.		CLIP-ON NUT QTY.
1 SLOT	2 SLOT	1 OR 2 SLOT	1 SLOT	2 SLOT	1 SLOT	2 SLOT	1 OR 2 SLOT
1	2	1	1	2	1	2	2

PARTS LIST:

TYPE	SIZE	DESCRIPTION	PART NUMBER
AS/JS	ALL	FIELD BENT MOUNTING CLIP	243163-001
AS/JS	210	5/8" MOUNTING CLIP	243163-002
AS/JS	215	5/8" MOUNTING CLIP	243163-003
AS/JS	220	5/8" MOUNTING CLIP	243163-004
AS/JS	225	5/8" MOUNTING CLIP	243163-005
AS/JS	230	5/8" MOUNTING CLIP	243163-006
AS/JS	210	1 SLOT P MOUNTING BRACKET KIT	232065-001
AS/JS	215	1 SLOT P MOUNTING BRACKET KIT	232065-002
AS/JS	220	1 SLOT P MOUNTING BRACKET KIT	232065-003
AS/JS	225	1 SLOT P MOUNTING BRACKET KIT	232065-004
AS/JS	230	1 SLOT P MOUNTING BRACKET KIT	232065-005
AS/JS	210	2 SLOT P MOUNTING BRACKET KIT	232066-001
AS/JS	215	2 SLOT P MOUNTING BRACKET KIT	232066-002
AS/JS	220	2 SLOT P MOUNTING BRACKET KIT	232066-003
AS/JS	225	2 SLOT P MOUNTING BRACKET KIT	232066-004
AS/JS	230	2 SLOT P MOUNTING BRACKET KIT	232066-005
AS/JS	210	INNER BRACKET	232030-001
AS/JS	215	INNER BRACKET	232030-002
AS/JS	220	INNER BRACKET	232030-003
AS/JS	225	INNER BRACKET	232030-004
AS/JS	230	INNER BRACKET	232030-005
AS/JS	210	OUTER BRACKET 1 SLOT	232026-001
AS/JS	215	OUTER BRACKET 1 SLOT	232026-002
AS/JS	220	OUTER BRACKET 1 SLOT	232026-003
AS/JS	225	OUTER BRACKET 1 SLOT	232026-004
AS/JS	230	OUTER BRACKET 1 SLOT	232026-005
AS/JS	210	OUTER BRACKET 2 SLOT	232027-001
AS/JS	215	OUTER BRACKET 2 SLOT	232027-002
AS/JS	220	OUTER BRACKET 2 SLOT	232027-003
AS/JS	225	OUTER BRACKET 2 SLOT	232027-004
AS/JS	230	OUTER BRACKET 2 SLOT	232027-005



MJ

1100035

2013/08/13

CUSTOM FLOW

INSTALLATION INSTRUCTION
T-BAR CEILINGS

PARTS LIST (CONTINUED):

TYPE	SIZE	DESCRIPTION	PART NUMBER
AS/JS	ALL	RUBBER GROMMET	033363-001
AS/JS	ALL	NUMBER 8 SCREW 3"	031724-001
AS/JS	ALL	CLIP-ON NUT	032160-001
AS/JS	210	Y-END HORIZONTAL ALIGNMENT PLATE	230770-001
AS/JS	215	Y-END HORIZONTAL ALIGNMENT PLATE	230770-002
AS/JS	220	Y-END HORIZONTAL ALIGNMENT PLATE	230770-003
AS/JS	225	Y-END HORIZONTAL ALIGNMENT PLATE	230770-004
AS/JS	230	Y-END HORIZONTAL ALIGNMENT PLATE	230770-005
AS/JS	210	Y-END CENTER ALIGNMENT PLATE	230771-001
AS/JS	215	Y-END CENTER ALIGNMENT PLATE	230771-002
AS/JS	220	Y-END CENTER ALIGNMENT PLATE	230771-003
AS/JS	225	Y-END CENTER ALIGNMENT PLATE	230771-004
AS/JS	230	Y-END CENTER ALIGNMENT PLATE	230771-005
AS/JS	ALL	Y-END VERTICAL ALIGNMENT PLATE	252152-001

PRICE [®]	
<i>MG</i>	CUSTOM FLOW INSTALLATION INSTRUCTIONS T-BAR CEILINGS
1100035	
2013/08/13	

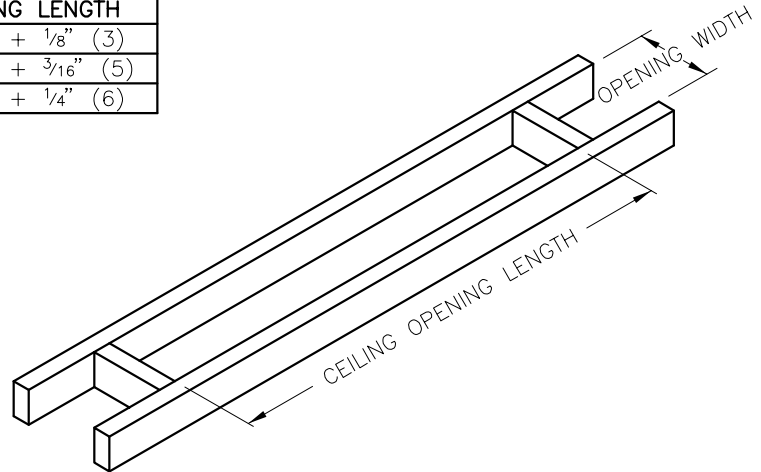
ALWAYS READ & UNDERSTAND ALL INSTALLATION INSTRUCTIONS PRIOR TO STARTING.

THIS INSTRUCTION APPLIES TO CUSTOM FLOW LINEAR DIFFUSERS, MODELS AS AND JS, WITH CONCEALED BEVELLED FRAME (TYPES 41 AND 41P), FOR INSTALLATION WITH OR WITHOUT MODEL ASP OR JSP PLENUMS.

STEP 1:
FRAME CEILING OPENING. REFER TO CHARTS FOR RECOMMENDED OPENING WIDTH AND LENGTH DIMENSIONS.

FRAME TYPE	END CONDITION	CEILING OPENING LENGTH
41, 41P	Y-Y	ORDERED SIZE + 1/8" (3)
	Y-Z	ORDERED SIZE + 3/16" (5)
	Z-Z	ORDERED SIZE + 1/4" (6)

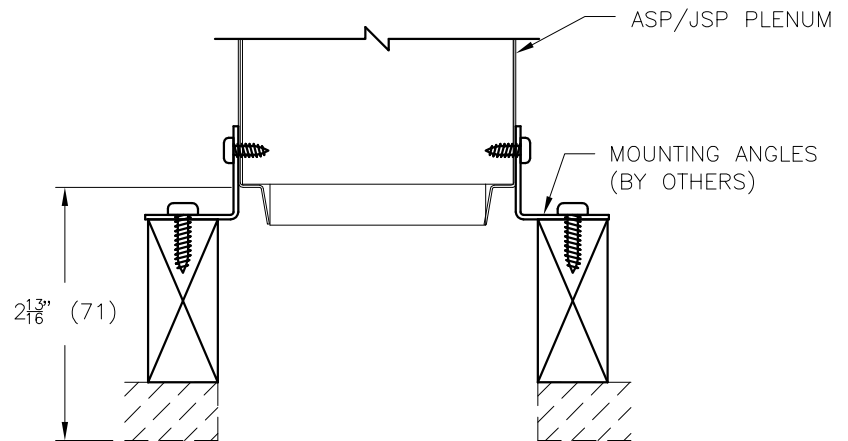
MODEL	OPENING WIDTH
AS210 / JS210	3 7/16" (87)
AS215 / JS215	3 15/16" (100)
AS220 / JS220	4 7/16" (113)
AS225 / JS225	4 15/16" (125)
AS230 / JS230	5 7/16" (138)



STEP 2:
INSTALL PLENUM (IF REQUIRED). USE PRICE MODEL ASP OR JSP PLENUM. PLENUM MUST BE INSTALLED IN THE CEILING AT THE HEIGHT ABOVE FINISHED DRYWALL SHOWN.

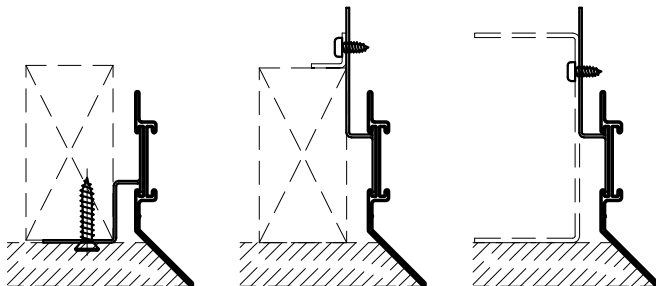
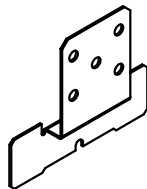
SECURE PLENUM TO FRAMING OR HANG FROM STRUCTURE AS REQUIRED BY LOCAL BUILDING CODE.

SUGGESTED INSTALLATION USING MOUNTING ANGLES IS SHOWN.

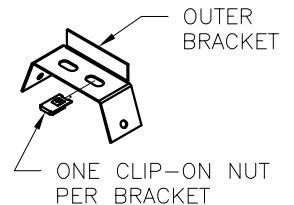
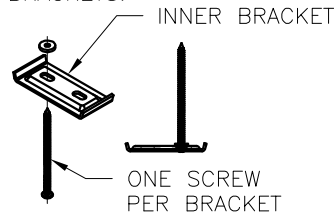


STEP 3:
PREPARE MOUNTING PLATES OR BRACKETS:

FOR TYPE 41
BEND AS REQUIRED. SUGGESTED INSTALLATIONS ARE SHOWN BELOW. MAKE SURE THAT SELECTED MOUNTING DOES NOT INTERFERE WITH PLENUM. SLIDE PLATES INTO DIFFUSER ON APPROXIMATELY 36" (914) SPACING.



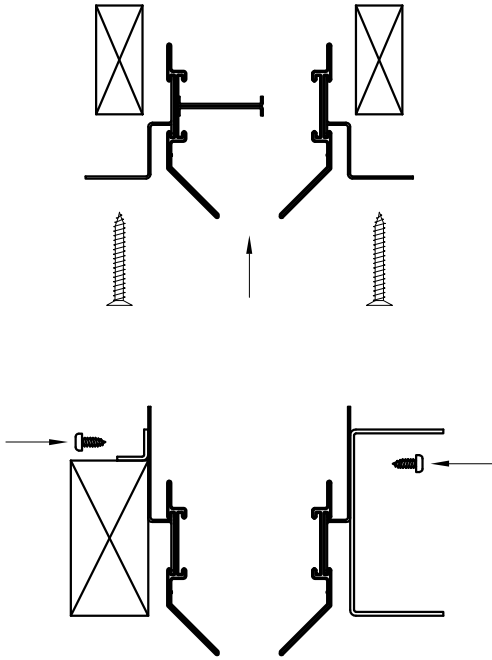
FOR TYPE 41P
INSERT ONE SCREW THROUGH EACH INNER BRACKET, AND PUSH A RUBBER GROMMET DOWN THE SHAFT OF THE SCREW. SLIDE CLIP-ON NUT ONTO OUTER BRACKETS.



PRICE®	
<i>MG</i>	CUSTOM FLOW
1100036	INSTALLATION INSTRUCTIONS TYPES 41 & 41P
2013/08/13	

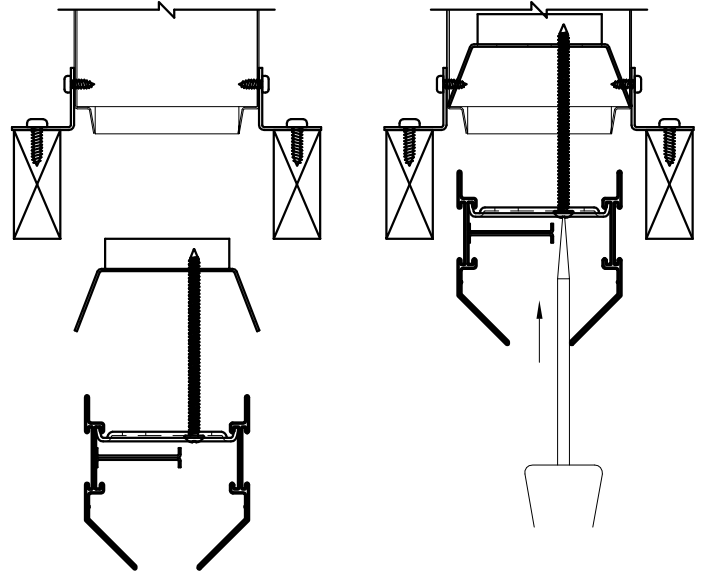
STEP 4:
MOUNT DIFFUSER:

FOR TYPE 41
SCREW MOUNTING PLATES TO FRAMEWORK. TEMPORARY SPACERS MAY BE USED DURING INSTALLATION TO ADJUST THE DIFFUSER TO THE CORRECT LOCATION FOR THE DRYWALL.



FOR TYPE 41P
DEFLECT FRAME STACK AND SNAP BRACKET INTO DIFFUSER FRAME. BRACKETS ARE REQUIRED APPROXIMATELY EVERY 36" (914) TO 48" (1219). THREAD OUTER BRACKET 1/4" (6) ONTO SCREWS.

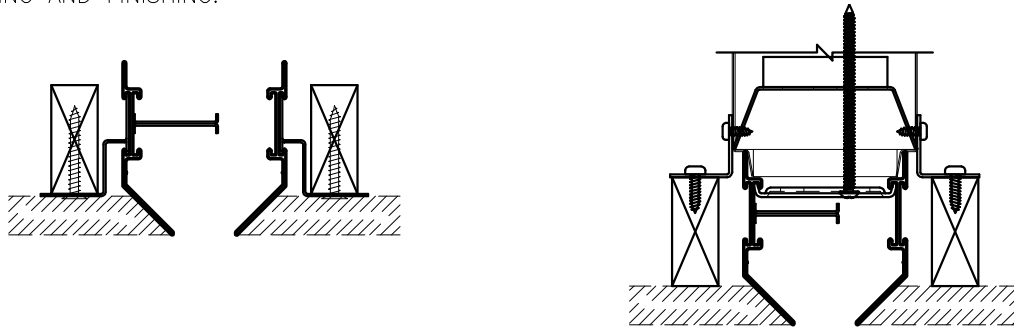
POSITION DIFFUSER IN CEILING. USING A SCREWDRIVER, PUSH UPWARD ON THE SCREW UNTIL THE BRACKET SNAPS IN PLACE. TIGHTEN SCREWS.



STEP 5:
IF MULTIPLE SECTION DIFFUSERS ARE USED, ALIGN SECTIONS TOGETHER USING THE SUPPLIED SPLICE PLATES AS ADDITIONAL SECTIONS ARE INSTALLED.

STEP 6:
INSTALL CEILING MATERIAL. EDGES OF THE MILLWORK OR DRYWALL SHOULD BE BEVELLED 45° TO CONFORM TO DIFFUSER FACE.

IF DRYWALL IS BEING USED, DIFFUSER FACE SHOULD BE THOROUGHLY CLEANED TO REMOVE ANY OILS OR RESIDUE FROM THE SURFACE PRIOR TO TAPING AND PLASTERING. USE OF A BONDING AGENT IS RECOMMENDED PRIOR TO TAPING AND FINISHING.



STEP 7:
ADJUST BLADES FOR DESIRED AIR PATTERN AS PER INSTALLATION INSTRUCTION I100040.

PRICE [®]	
<i>MG</i>	CUSTOM FLOW
I100036	INSTALLATION INSTRUCTIONS TYPES 41 & 41P
2013/08/13	

MOUNTING CLIPS:

DIFFUSER SECTION LENGTH	QTY.	DESCRIPTION
UP TO 24"	4	MOUNTING CLIP
>24" TO 48"	6	MOUNTING CLIP
>48" TO 72"	8	MOUNTING CLIP
>72" TO 96"	10	MOUNTING CLIP
>96" TO 120"	12	MOUNTING CLIP


MOUNTING BRACKETS:

DIFFUSER SECTION LENGTH	KIT QTY.
UP TO 48"	2
>48" TO 96"	3
>96"	4

EACH KIT INCLUDES:				
INNER BRACKET QTY.	OUTER BRACKET QTY.	RUB. GROMMET QTY.	SCREW QTY.	CLIP-ON NUT QTY.
1	1	1	1	2

PARTS LIST:

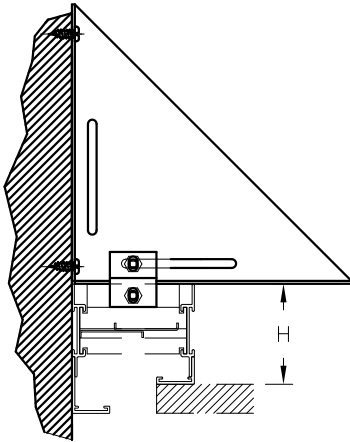
TYPE	SIZE	DESCRIPTION	PART NUMBER
AS/JS	210	1 SLOT P MOUNTING BRACKET KIT	232065-001
AS/JS	215	1 SLOT P MOUNTING BRACKET KIT	232065-006
AS/JS	220	1 SLOT P MOUNTING BRACKET KIT	232065-002
AS/JS	225	1 SLOT P MOUNTING BRACKET KIT	232065-007
AS/JS	230	1 SLOT P MOUNTING BRACKET KIT	232065-003
AS/JS	210	INNER BRACKET	232030-001
AS/JS	215	INNER BRACKET	232030-006
AS/JS	220	INNER BRACKET	232030-002
AS/JS	225	INNER BRACKET	232030-007
AS/JS	230	INNER BRACKET	232030-003
AS/JS	210	OUTER BRACKET	232026-001
AS/JS	215	OUTER BRACKET	232026-006
AS/JS	220	OUTER BRACKET	232026-002
AS/JS	225	OUTER BRACKET	232026-007
AS/JS	230	OUTER BRACKET	232026-003
AS/JS	ALL	RUBBER GROMMET	033363-001
AS/JS	ALL	NUMBER 8 SCREW 3"	031724-001
AS/JS	ALL	CLIP-ON NUT	032160-001
AS/JS	ALL	Y-END VERTICAL ALIGNMENT PLATE	243177-001
AS/JS	ALL	FIELD BENT MOUNTING CLIP	243163-001
AS/JS	ALL	5/8" MOUNTING CLIP	243163-016

PRICE[®]	
	CUSTOM FLOW
1100036	INSTALLATION INSTRUCTIONS TYPES 41 & 41P
2013/08/13	

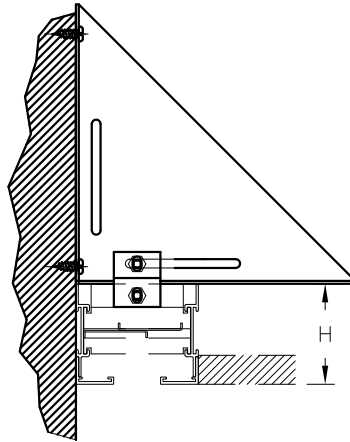
ALWAYS READ & UNDERSTAND ALL INSTALLATION INSTRUCTIONS PRIOR TO STARTING.

THIS INSTRUCTION APPLIES TO CUSTOM FLOW LINEAR DIFFUSERS, MODELS AS AND JS, FOR ROOM PERIMETER INSTALLATION (FRAME TYPES 51 AND 51F).

STEP 1:
SCREW MOUNTING GUSSETS ONTO SIDEWALL. USE DIFFUSER AS TEMPLATE TO MARK GUSSET LOCATIONS ALONG WALL. GUSSET MUST BE INSTALLED AT THE HEIGHT ABOVE THE FINISHED CEILING SHOWN.



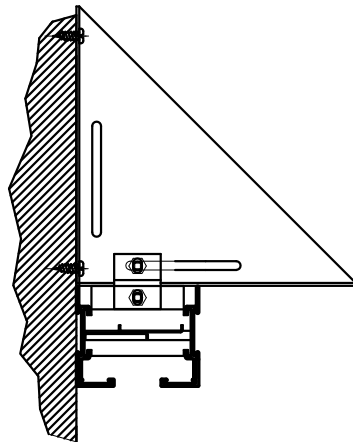
TYPE 51



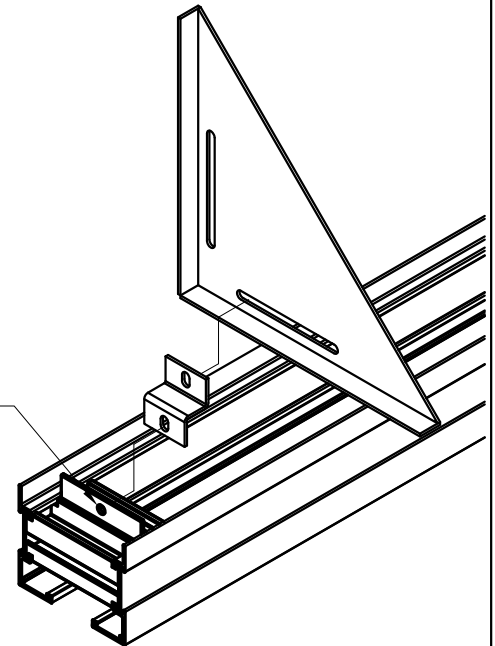
TYPE 51F

MODEL	H
AS210 / JS210	2 ³ / ₁₆ " (56)
AS215 / JS215	2 ⁷ / ₁₆ " (62)
AS220 / JS220	2 ¹¹ / ₁₆ " (68)
AS225 / JS225	2 ¹⁵ / ₁₆ " (75)
AS230 / JS230	3 ³ / ₁₆ " (81)

STEP 2:
DRILL HOLES INTO SPACER BARS TO ATTACH MOUNTING CLIPS TO THE DIFFUSER. INSTALL DIFFUSER TO GUSSETS. USE NUTS AND BOLTS AND SUPPLIED MOUNTING CLIPS TO CONNECT DIFFUSER TO GUSSETS. INSTALL FIELD BUILT PLENUM (IF REQUIRED).

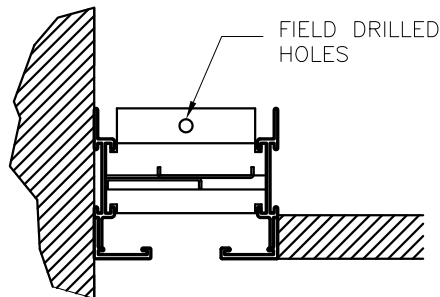
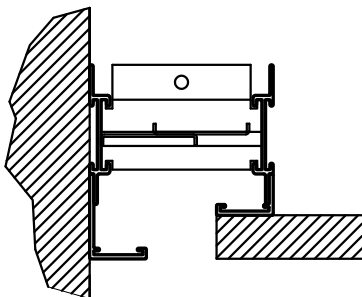


FIELD DRILLED HOLES



STEP 3:
ADJUST BLADES FOR DESIRED AIR PATTERN AS PER INSTALLATION INSTRUCTION I100040.

STEP 4:
FRAME CEILING AND INSTALL DRYWALL. FINISH AND PAINT AS REQUIRED.



MOUNTING GUSSETS:

DIFFUSER SECTION LENGTH	KIT QTY.
UP TO 24"	2
>24" TO 48"	3
>48" TO 72"	4
>72" TO 96"	5
>96" TO 120"	6


EACH KIT INCLUDES:			
SUP. GUSSET QTY.	MOUNTING CLIP QTY.	SCREW QTY.	NUT QTY.
1	1	2	2

Y-END ALIGNMENT PLATES:

ITEM	QUANTITY
Y-END HORZ. ALIGN. PLATE	2
Y-END VERT. ALIGN. PLATE	2

PARTS LIST:

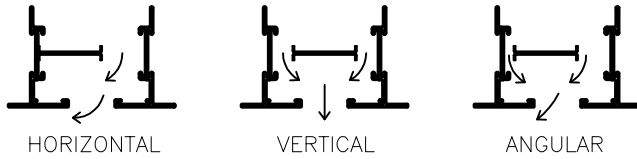
TYPE	SIZE	DESCRIPTION	PART NUMBER
AS/JS	210	MOUNTING GUSSET KIT	230767-001
AS/JS	215	MOUNTING GUSSET KIT	230767-001
AS/JS	220	MOUNTING GUSSET KIT	230767-001
AS/JS	225	MOUNTING GUSSET KIT	230767-002
AS/JS	230	MOUNTING GUSSET KIT	230767-002
AS/JS	210	Y-END HORIZONTAL ALIGNMENT PLATE	230770-001
AS/JS	215	Y-END HORIZONTAL ALIGNMENT PLATE	230770-002
AS/JS	220	Y-END HORIZONTAL ALIGNMENT PLATE	230770-003
AS/JS	225	Y-END HORIZONTAL ALIGNMENT PLATE	230770-004
AS/JS	230	Y-END HORIZONTAL ALIGNMENT PLATE	230770-005
AS/JS	ALL	Y-END VERTICAL ALIGNMENT PLATE	243177-001
AS/JS	210	SUPPORT GUSSET	229787-001
AS/JS	215	SUPPORT GUSSET	229787-001
AS/JS	220	SUPPORT GUSSET	229787-001
AS/JS	225	SUPPORT GUSSET	229788-001
AS/JS	230	SUPPORT GUSSET	229788-001
AS/JS	ALL	MOUNTING CLIP	229789-001
AS/JS	ALL	10-24 SCREW 1/2"	031420-002
AS/JS	ALL	10-24 NUT	032020-006

PRICE [®]	
	CUSTOM FLOW INSTALLATION INSTRUCTIONS TYPES 51 & 51F
I100037	
2015/01/19	

ALWAYS READ & UNDERSTAND ALL INSTALLATION INSTRUCTIONS PRIOR TO STARTING.

THIS INSTRUCTION APPLIES TO CUSTOM FLOW LINEAR DIFFUSERS, MODELS AS AND JS

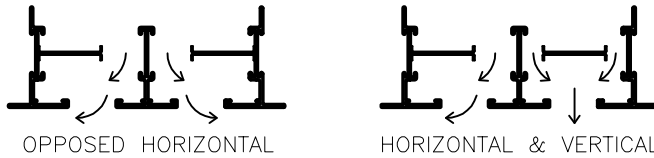
AS SERIES – DPC – DUAL LAYER PATTERN CONTROLLERS (PATTERN AND VOLUME ADJUSTMENT):



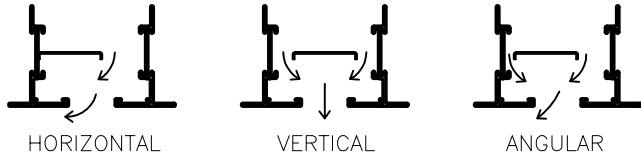
DPC – VOLUME ADJUSTMENTS:

- FULLY OPEN:
- PARTIALLY DAMPERED
- SHUTOFF

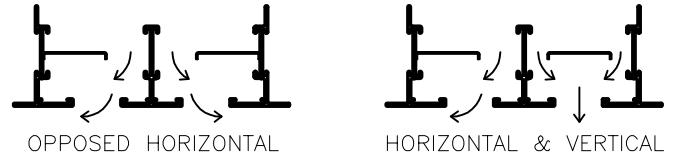
TWO SLOT ADJUSTMENT MAY ALSO DIFFER FOR EACH SLOT:



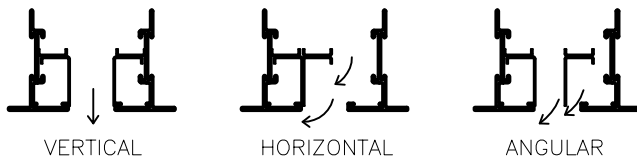
AS SERIES – SPC – SINGLE LAYER PATTERN CONTROLLERS (PATTERN ADJUSTMENT ONLY):



TWO SLOT ADJUSTMENT MAY ALSO DIFFER FOR EACH SLOT:



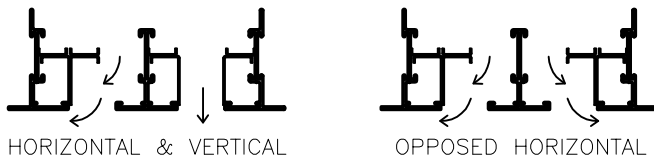
JS SERIES – DPC – DUAL LAYER PATTERN CONTROLLERS (PATTERN AND VOLUME ADJUSTMENT):



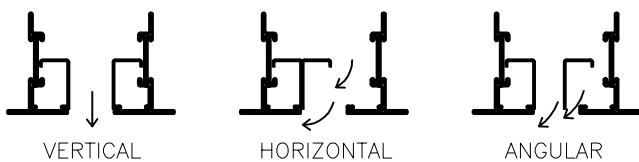
DPC – VOLUME ADJUSTMENTS:

- FULLY OPEN:
- PARTIALLY DAMPERED
- SHUTOFF

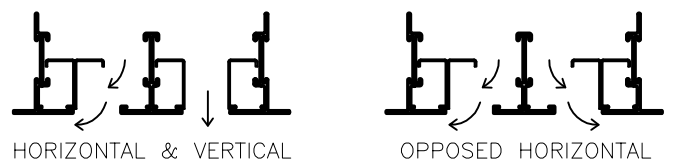
TWO SLOT ADJUSTMENT MAY ALSO DIFFER FOR EACH SLOT:



JS SERIES – SPC – SINGLE LAYER PATTERN CONTROLLERS (PATTERN ADJUSTMENT ONLY):



TWO SLOT ADJUSTMENT MAY ALSO DIFFER FOR EACH SLOT:



PRICE®	
	CUSTOM FLOW PATTERN ADJUSTMENT
1100040	
2013/08/13	

This document contains the most current product information as of this printing.
For the most up-to-date product information, please go to priceindustries.com

© 2015 Price Industries Limited. All rights reserved.

PRICE[®]